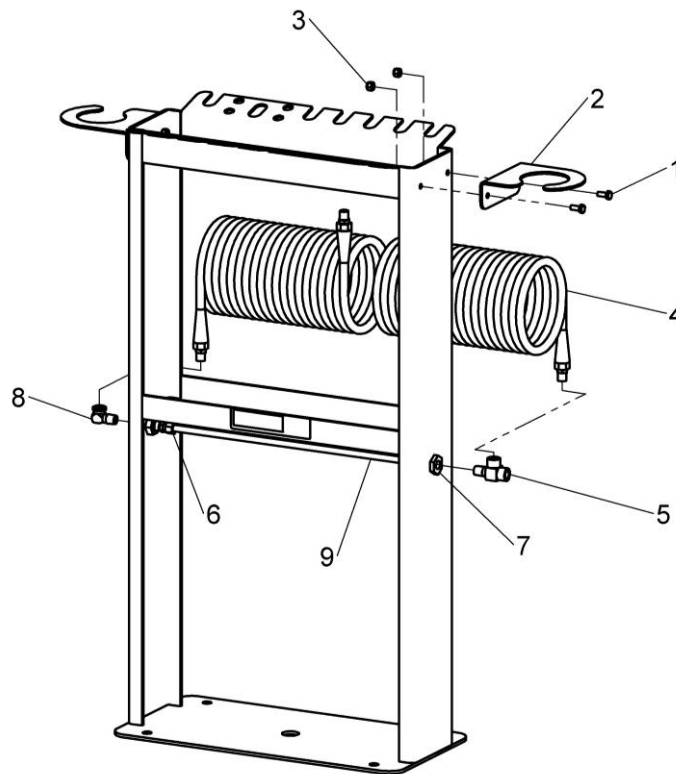


1. Place the Model 2400 Tool Station in position on floor. Bolt it to the floor using four 1/2" anchor bolts (not provided).
2. Attach the Impact Holder Brackets (Item 2) with 1/4-20 x 5/8 Hex Head Cap Screws and 1/4-20 Hex Lock Nuts as shown.
3. Install the air supply to the 1/4" NPT Tee Fitting (Item 5) using thread sealant.



ITEM	PART NO	QTY	DESCRIPTION
1	028-210	4	1/4-20 X 5/8 Hex Head Cap Screw
2	72-0451	2	Impact Holder Bracket
3	055-160	4	1/4-20 Nylon Hex Lock Nut
4	62-0010	2	3/8" ID X 25' Recoil Air Hose
5	096-155	1	1/4 NPT Tee Fitting
6	60-0191	2	3/8" Tube to 1/4 NPT Fitting
7	60-0192	2	1/4 NPT Bulkhead Fitting
8	60-0194	1	1/4 NPT male x female Elbow Fitting
9	D20-006	16.5'	3/8" OD Nylon Tubing

COMMERCIAL WARRANTY

This product is warranted by BRANICK INDUSTRIES, INC. to the original user-owner against defective materials or workmanship for a period of one year from the date of shipment. During the warranty period, at the discretion of Branick management, if the product is found to be defective, it will be repaired or replaced without charge. For service, contact Branick (800-437-4394) to obtain an RMA. Any product shipped to Branick must have an RMA and proof of original shipment date. The repaired or replacement product will be returned with transportation charges prepaid by Branick.

This warranty does not cover defects in the product caused by ordinary wear and tear, abuse, misuse, overloading, accident (including shipping damage), improper maintenance, alteration, or any other cause not the result of defective materials or workmanship.

REPAIR OR REPLACEMENT IS THE EXCLUSIVE REMEDY FOR DEFECTIVE PRODUCT UNDER THIS WARRANTY. THIS WARRANTY IS EXPRESSLY IN LIEU OF ALL OTHER WARRANTIES, INCLUDING ANY IMPLIED WARRANTY OF MERCHANT ABILITY OR ANY IMPLIED WARRANTY OF FITNESS FOR A PARTICULAR PURPOSE OF THIS PRODUCT. BRANICK INDUSTRIES, INC. SHALL NOT BE LIABLE FOR ANY CONSEQUENTIAL OR INCIDENTAL DAMAGES.

BRANICK INDUSTRIES, INC. reserves the right to make changes in the design or construction of our products without obligation to incorporate such changes in products already sold and without notice.

Service parts and regular repair service are available from authorized distributors of Branick products, or from:

BRANICK INDUSTRIES, INC.
4245 Main Ave.
 Fargo, North Dakota 58103
Toll Free: 800-437-4394



www.branick.com