



MODEL 5500
Tire Repair
Station

Installation, Operation
and Repair Parts
Information



Branick Industries, Inc. • 4245 Main Ave • Fargo, North Dakota 58103

TABLE OF CONTENTS

SAFETY INSTRUCTIONS	1
DEFINITIONS	1
INSTALLATION INSTRUCTIONS	2
OPERATING INSTRUCTIONS	2
MAINTENANCE INSTRUCTIONS	2
REPAIR PARTS	3-6
WARRANTY	7

SAFETY INSTRUCTIONS

- NEVER allow unauthorized personnel to operate this product.
- NEVER use this product for anything other than its intended use.
- THOROUGHLY train new employees in the proper use and care of this product.
- PROHIBIT unauthorized personnel from being in shop area while this product is in use.

DEFINITIONS

- **CAUTION:** Indicates a potentially hazardous situation, which if not avoided, may result in damage to property or minor personal injury.
- **WARNING:** Indicates a potentially hazardous situation, which if not avoided, may result in death or serious personal injury.
- **HAZARD:** A source of potential injury to a person.
- **MAINTENANCE:** Those actions that preserve the correct and proper conditions under which the machine shall be used. This may include adjustment, replacement of wear items, lubrication and cleaning, but not modifications or repair of damage.
- **MAY:** This word is understood to be permissive.
- **MUST:** This word is understood to be mandatory.
- **OPERATION:** The correct and proper use of the machine as described in this manual.
- **SAFETY ALERT SYMBOL:** A symbol that indicates a potential personal safety hazard. It is composed of a triangle surrounding an exclamation point.
- **SHALL:** This word is understood to be mandatory.
- **SHOULD:** This word is understood to be advisory.

CAUTION

- ◆ Before using this product, read and fully understand the operating instructions and all decals on the product. This is necessary to prevent injury to the operator and damage to the product.
- ◆ Use this product only for lifting, spreading and repairing tire casings. Do not use this product for any other purpose.
- ◆ Keep fingers and hands clear of spread hooks during tire spread.
- ◆ Do not use this product if it is visibly worn, distorted or damaged.
- ◆ Always wear appropriate eye protection.

WARNING

- ◆ Keep feet clear of the tire ramp and scissor arms when raising and lowering spreader platform.
- ◆ All personnel must be clear of the tire lift area during operation.

INSTALLATION

- 1) Attach the tire ramp (item 15) and retractor bar (item 45) to the Model 5500 with hardware provided. Tighten nylon lock nuts enough to allow free rotation at pivot points (see page 3).
- 2) Position the Model 5500 on a solid level floor leaving a minimum of 36 inches of clearance on operation sides and 24 inches of clearance on tool tray side.
- 3) Attach a 1/4 NPT quick coupler nipple (not provided) into the fitting located on lower frame on tool tray side of machine. Use 1/4 inch air hose with 100 p.s.i. minimum.

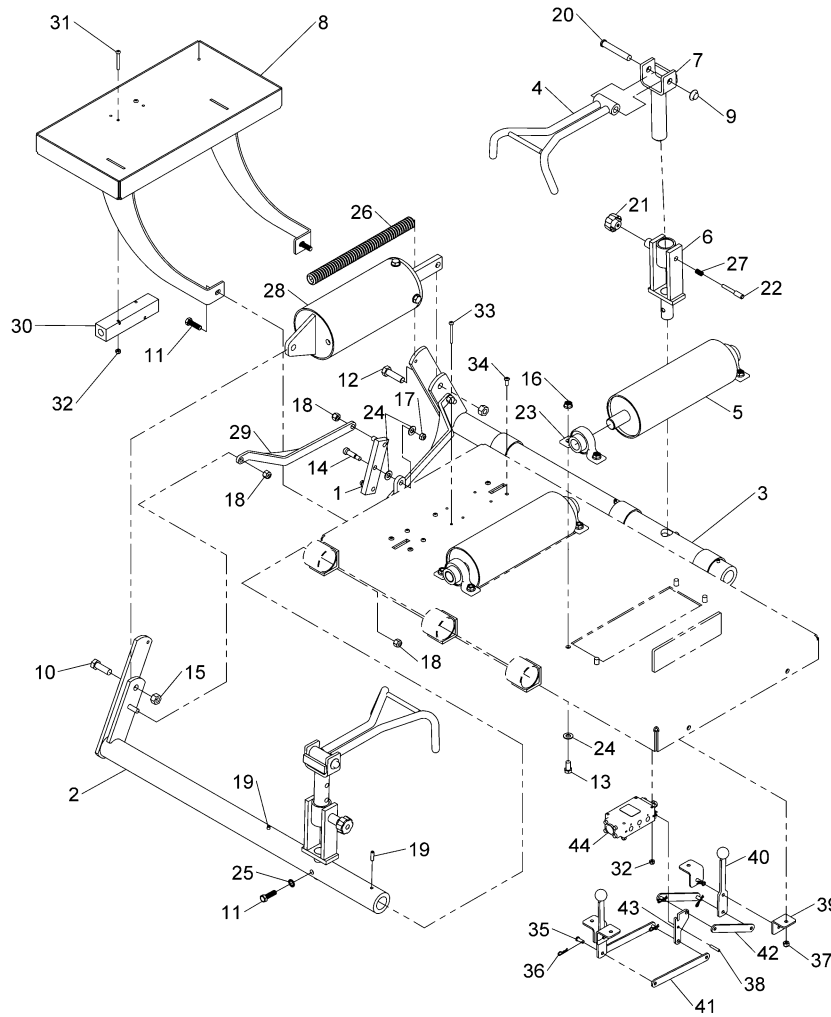
OPERATION

- 1) Make sure the spreader platform is in the lowest position.
- 2) Pull the spread hook arms out into the upright position.
- 3) Roll the tire up the ramp and onto the spreader platform rollers. Steady tire with hand and insert spread hooks between tire beads.
- 4) Raise the spreader platform to comfortable working height using the platform lift foot valve.
- 5) Adjust spread hooks to proper height for the tire size being repaired. The spread hook arms are held in position with a hitch pin. To adjust the spread hook arms, pull the hitch pin and move spread hook arm up or down to one of the four adjustment holes. Most larger truck tires will use the uppermost adjustment holes. Both spread hook arms must be adjusted to the same height.
- 6) Spread tire to desired width using the hand operated valve attached to tool tray. If tire is lifted off tire rollers when it is spread, the spread hook arms are positioned too high and should be lowered.
- 7) After tire repairs are complete, lower the spreader platform to lowest position.
- 8) Release spread hook arm pressure and remove spread hook arms from the tire bead.
- 9) Standing at the end of the ramp, pull the tire down the ramp using both hands.

MAINTENANCE

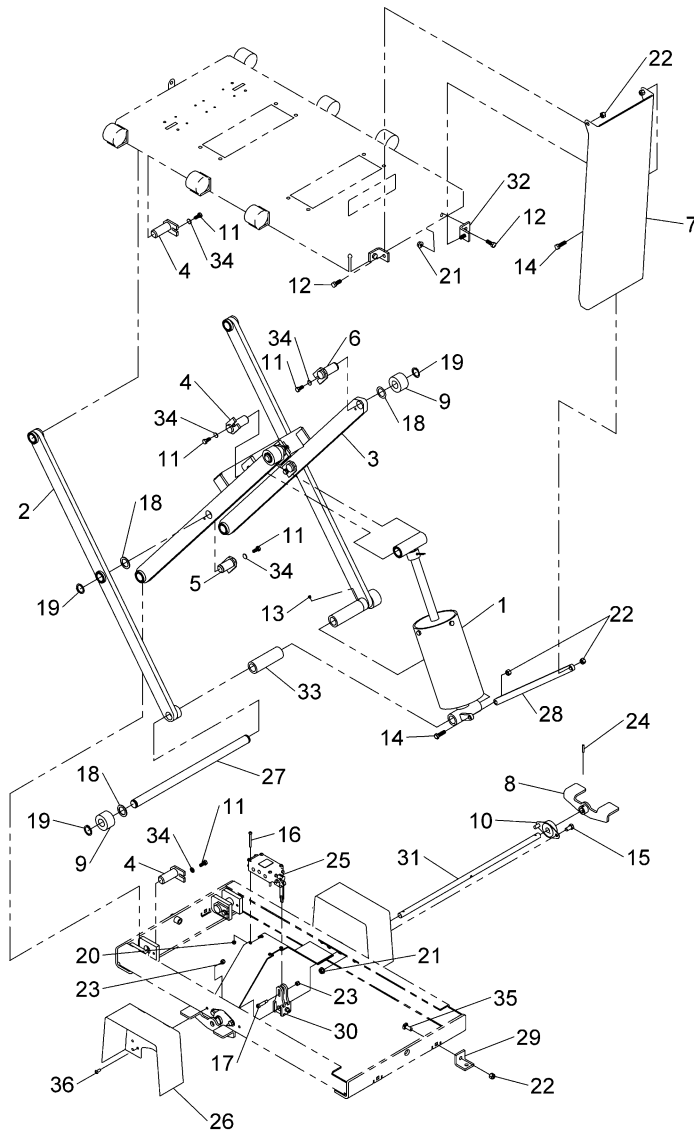
Monthly: On the spread cylinder, remove the slotted plug from the tee fitting at the end of the cylinder and put in a few ounces of 10 or 20 weight oil. On the lift cylinder, put a few ounces of oil in the ¼ inch hole in top cover plate.

REPAIR PARTS



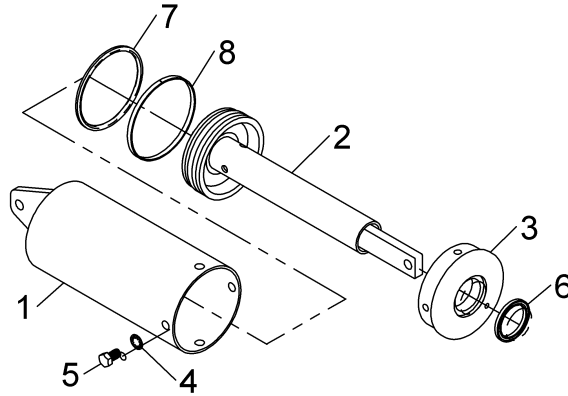
PLATFORM ASSEMBLY

ITEM	QTY	PART NO.	DESCRIPTION	ITEM	QTY	PART NO.	DESCRIPTION
1	1	03-0036	PIVOT LINK	23	4	107-020	PILLOW BLOCK
2	1	03-0248	FRONT SPREAD ARM	24	10	108-015	3/8 WASHER
3	1	03-0249	REAR SPREAD ARM	25	2	108-057	3/8 INTERNAL TOOTH WASHER
4	2	03-0302	SPREAD HOOK	26	1	110-011	TENSION SPRING
5	2	03-0304	ROLLER	27	2	110-065	COMPRESSION SPRING
6	2	03-0305	ADJUSTMENT POST	28	1	900-187	SPREAD CYLINDER
7	2	03-0308	HOOK POST	29	2	950-553	SPREAD LINKAGE ARM
8	1	03-0309	TOOL TRAY	30	1	60-0233	MANIFOLD
9	2	020-024	CAP NUT	31	2	028-307	#10 X 1/34 SCREW
10	1	028-025	1/2 X 1-1/2 SCREW	32	6	055-127	#10 NYLON LOCK NUT
11	4	028-046	3/8 X 1-1/4 SCREW	33	4	028-305	#10 X 2 SCREW
12	1	028-047	1/2 X 1-3/4 SCREW	34	4	50-0125	1/4 X 5/8 HEX SCREW
13	8	028-133	3/8 X 3/4 SCREW	35	6	54-0056	1/4" CLEVIS PIN
14	1	50-0027	3/8 X 1 SCREW	36	6	54-0057	HAIR PIN
15	2	055-058	1/2 BI-WAY LOCK NUT	37	4	055-160	1/4 NYLON LOCK NUT
16	8	055-103	3/8 FLANGE NUT	38	1	061-178	3/16 X 1 SPRING PIN
17	1	055-145	5/16 NYLON LOCK NUT	39	4	72-0494	HANDLE MOUNT
18	6	055-154	3/8 NYLON LOCK NUT	40	2	72-0495	HANDLE
19	4	061-091	1/4 X 7/8 SPRING PIN	41	2	72-0496	LOWER LINKAGE ARM
20	2	54-0034	1/2" CLEVIS PIN	42	2	72-0497	UPPER LINKAGE ARM
21	2	11-0075	ADJUSTING KNOB	43	1	72-0498	VALVE LEVER
22	2	73-1000	LOCK PIN	44	1	190-066	HAND VALVE



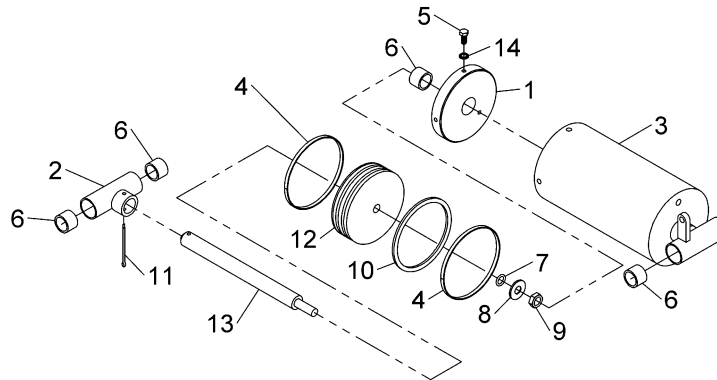
LIFT ASSEMBLY

ITEM	QTY	PART NO.	DESCRIPTION	ITEM	QTY	PART NO.	DESCRIPTION
1	1	01-0179	LIFT CYLINDER	19	6	044-048	RETAINING RING
2	2	01-0182	OUTSIDE ARM	20	4	055-127	#10 NYLON LOCK NUT
3	1	01-0183	INSIDE ARM	21	6	055-103	3/8 FLANGE NUT
4	6	03-0106	PIVOT PIN	22	6	055-154	3/8 NYLON LOCK NUT
5	2	03-0107	ARM PIVOT PIN	23	5	055-160	1/4 NYLON LOCK NUT
6	2	03-0108	ROLLER PIN	24	2	061-178	3/16 X 1 SPRING PIN
7	1	03-0256	RAMP	25	1	60-0047	FOOT VALVE
8	2	03-0306	PEDAL	26	2	72-0086	FOOT GUARD
9	4	11-0023	NYLON ROLLER	27	1	73-0301	ROLLER ROD
10	2	20-0039	FLANGE BEARING	28	1	73-0592	RETRACTOR BAR
11	10	028-012	5/16 X 3/4 SCREW	29	2	73-0607	ANCHOR PLATE
12	4	028-021	3/8 X 1 SCREW	30	1	73-0733	CLEVIS ASSEMBLY
13	2	028-027	1/4 X 1/2 SCREW	31	1	73-0734	LEVER ROD
14	2	028-046	3/8 X 1-1/4 SCREW	32	2	73-0743	RAMP BRACKET
15	4	028-133	3/8 X 3/4 SCREW	33	2	74-0076	ROLLER SLEEVE
16	4	028-305	#10 X 2 SCREW	34	10	108-067	5/16 TOOTH WASHER
17	1	028-353	5/15 X 1 SHLDR SCREW	35	2	028-064	3/8 X 1 CARRIAGE BOLT
18	6	039-007	1" BUSHING	36	4	50-0125	1/4 X 5/8 HEX SCREW



SPREAD CYLINDER

ITEM	QTY	PART NO.	DESCRIPTION
1	1	950-194	SPREAD CYLINDER HOUSING
2	1	950-195	PISTON ROD ASSEMBLY
3	1	098-327	COVER PLATE
4	4	108-038	7/16 WASHER
5	4	028-005	7/16-14 x 3/4 SCREW
6	1	041-202	ROD SEAL
7	1	61-0028	QUAD RING SEAL
8	1	11-0065	NYLON WEAR STRIP



LIFT CYLINDER

ITEM	QTY	PART NO.	DESCRIPTION
1	1	01-0181	END COVER
2	1	03-0060	ROD END
3	1	03-0240	LIFT CYLINDER HOUSING
4	2	11-0082	NYLON WEAR STRIP
5	4	028-012	5/16-18 x 3/4 SCREW
6	5	039-041	SLEEVE BEARING
7	1	041-049	O-RING
8	1	52-0036	SEALING WASHER
9	1	055-111	9/16-18 LOCK NUT
10	1	61-0029	QUAD RING SEAL
11	1	061-166	COTTER PIN
12	1	73-0745	LIFT PISTON
13	1	73-0746	LIFT PISTON ROD
14	4	108-067	5/16 WASHER

COMMERCIAL WARRANTY

This product is warranted by BRANICK INDUSTRIES, INC. to the original user-owner against defective materials or workmanship for a period of one year from the date of shipment. During the warranty period, at the discretion of Branick management, if the product is found to be defective, it will be repaired or replaced without charge. For service, contact Branick (800-437-4394) to obtain an RMA. Any product shipped to Branick must have an RMA and proof of original shipment date. The repaired or replacement product will be returned with transportation charges prepaid by Branick.

This warranty does not cover defects in the product caused by ordinary wear and tear, abuse, misuse, overloading, accident (including shipping damage), improper maintenance, alteration, or any other cause not the result of defective materials or workmanship.

REPAIR OR REPLACEMENT IS THE EXCLUSIVE REMEDY FOR DEFECTIVE PRODUCT UNDER THIS WARRANTY. THIS WARRANTY IS EXPRESSLY IN LIEU OF ALL OTHER WARRANTIES, INCLUDING ANY IMPLIED WARRANTY OF MERCHANT ABILITY OR ANY IMPLIED WARRANTY OF FITNESS FOR A PARTICULAR PURPOSE OF THIS PRODUCT. BRANICK INDUSTRIES, INC. SHALL NOT BE LIABLE FOR ANY CONSEQUENTIAL OR INCIDENTAL DAMAGES.

BRANICK INDUSTRIES, INC. reserves the right to make changes in the design or construction of our products without obligation to incorporate such changes in products already sold and without notice.

Service parts and regular repair service are available from authorized distributors of Branick products, or from:

BRANICK INDUSTRIES, INC.
4245 Main Ave.
 Fargo, North Dakota 58103
Toll Free: 800-437-4394



www.branick.com