

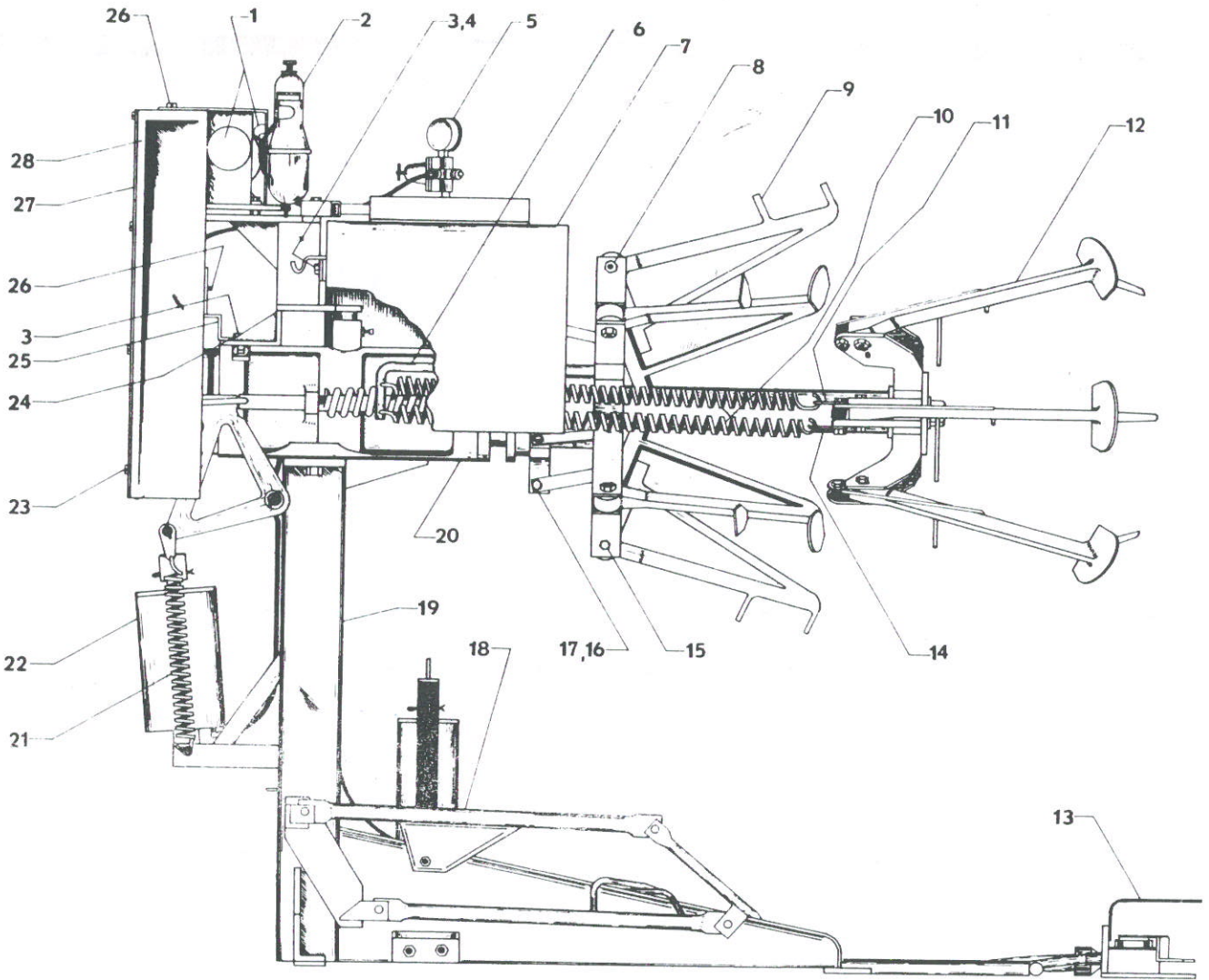
# Branick

## Tire Handling Equipment

### Repair Parts Information

Band Type Tire Spreader

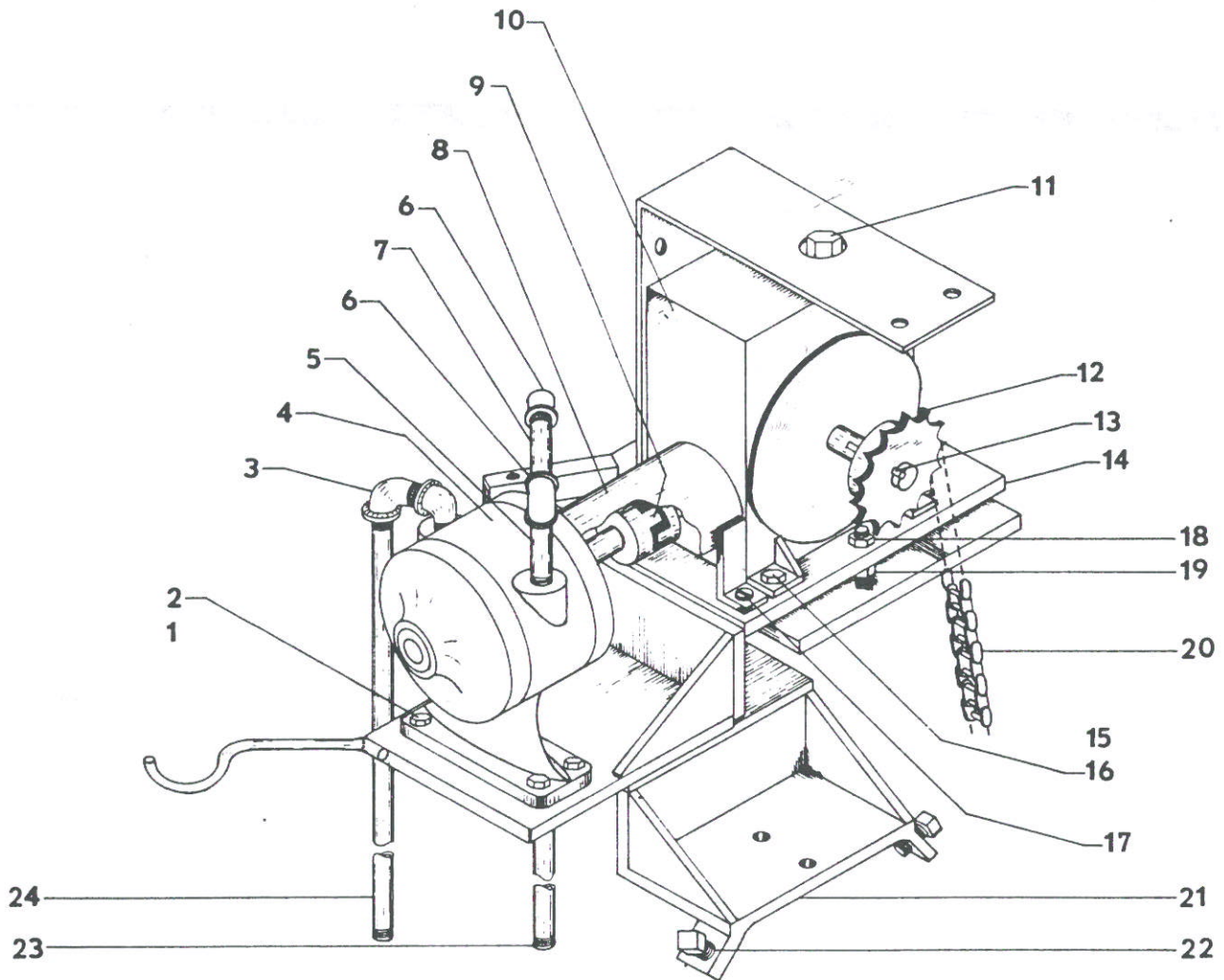
MODEL 6A/AR/S and  
6A/AR/EF/S



ITEM NO.	DESCRIPTION	Q'TY.	PART NUMBER	PAGE	ITEM NO.	DESCRIPTION	Q'TY.	PART NUMBER	PAGE
1	A. R. Drive	1	ND461.900	2	15	1/2 N.C.H.H.C.S. x 2 1/4	6	ND 23.028	
2	Filter - Lub. - Regular Ass'y.	1	ND454.900	6	16	7/16 N.C.H.H.C.S. x 2	6	ND 44.028	
3	5/16 N.C.H.H.C.S. x 1	4	ND 14.028		17	7/16 N.C. Hex Lock Nut	6	ND 21.055	
4	5/16 N.C. Hex Lock Nut	2	ND 23.055		18	Lift (on EF only)	1	ND192.950	5
5	Control Valves	1		5	19	Pedestal	1	ND627.950	
6	Spring Rod	2	ND141.149		20	Housing and Cylinder	1	ND210.900	4
7	Rotating Spring Shield	1	ND 17.298		21	Spring	2	ND 5.110	
8	1/2 N.C. Hex Lock Nut	6	ND 58.055		22	Dia. Cyl. & Power Transfer	1		3
9	Diameter Arm	6	ND583.950		23	No. 8 x 1/2 Type A Screw	9	ND146.028	
10	Spring	4	ND 4.110		24	5/16 Lockwasher	2	ND 67.108	
11	Spring Bracket	2	ND226.111		25	Swivel Stabilizer	1	ND629.950	
12	Spread Arm	6		3	26	1/4 - 20 x 1/2 Type F Screw	4	ND148.028	
13	Air Switch	1	ND463.900	6	27	Shield Cover	1	ND 45.098	
14	Spring Bracket	2	ND227.111		28	Chain Shield	1	ND 6.298	

# Branick

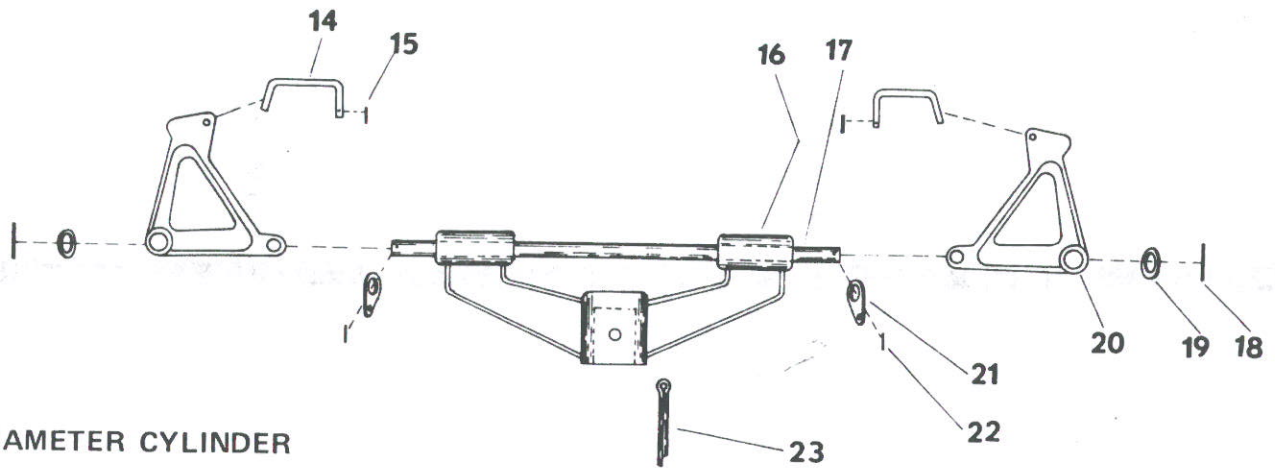
# Repair Parts List For Model 6A/AR/S & 6A/AR/EF/S Spreader



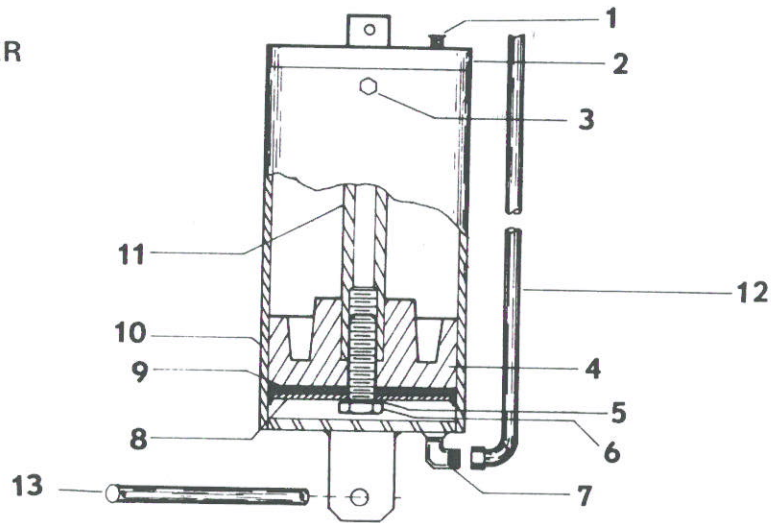
AR DRIVE ASSEMBLY 461.900

ITEM NO.	PART NUMBER	Q'TY.	DESCRIPTION	ITEM NO.	PART NUMBER	Q'TY.	DESCRIPTION
1	ND 22.055	4	1/4 N.C. Hex Lock Nut	15	ND 14.028	4	5/16 N.C. H.H.C.S. x 1
2	ND 41.028	4	1/4 N.C.H.H.C.S. x 1	16	ND 23.055	4	5/16 N.C. Hex Lock Nut
3	ND 38.096	2	1/4 x 90° Street Elbow	17	ND144.028	1	No. 6 Type F Screw
4	ND 13.259	1	Air Motor	<b>ASSOCIATED ITEMS NOT INCLUDED IN ASSEMBLY 461.900</b>			
5	ND 68.096	1	1/4 x 1 1/2 Pipe Nipple	18	ND312.055	1	3/8 N.C. Hex Jam Nut
6	ND 69.096	2	1/4 x 90° Elbow	19	ND213.055	5	3/8 N.C. Hex Lock Nut
7	ND 46.096	1	1/4 x 4 Pipe Nipple	20	ND 8.066	1	101 Link No. 40 Chain
8	ND 18.298	1	Coupler Shield	21	ND535.950	1	Motor - Reducer Base
9	ND 15.034	1	Coupler	22	ND228.028	2	1/2 N.C. Sq. Head S.S. x 1 1/2
10	ND 7.032	1	Reducer	23	ND101.096	1	1/4 x 41 1/4 Pipe Nipple
11	ND 2.006	1	Hex Head Brass Plug	24	ND100.096	1	1/4 x 41 3/4 Pipe Nipple
12	ND 16.228	1	14 Tooth Sprocket				
13	ND 8.251	1	3/16 x 1 3/4 Key				
14	ND626.950	1	Motor-Reducer Mount				

# Repair Parts List For Model 6A/AR/S & 6A/AR/EF/S Spreader



## DIAMETER CYLINDER AND POWER TRANSFER



## DIAMETER CYLINDER ASSEMBLY 43.900

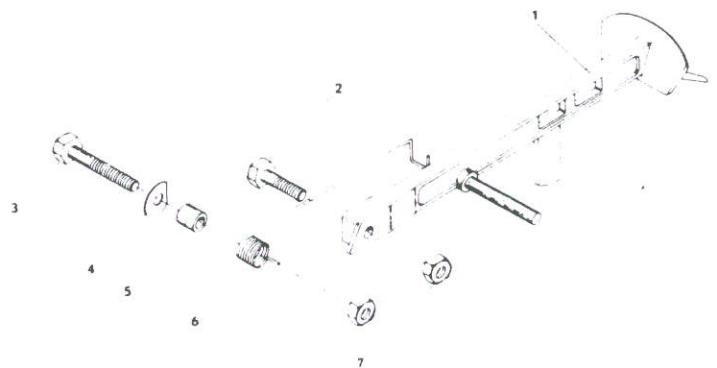
ITEM NO.	PART NUMBER	Q'TY.	DESCRIPTION
1	ND 4.006	1	1/4 Tapered Cap Plug
2	ND 1.264	1	Cylinder Head
3	ND 5.028	3	7/16 N.C.H.H.C.S. x 3/4
4	ND 16.051	1	Piston
5	ND240.167	1	14 mm Gasket
6	ND 13.028	1	9/16 N.C.H.H.C.S. x 1 3/4
7	ND 34.096	1	1/4 - 1/4 Male Elbow Conn.
8	ND 33.101	1	Piston Plate
9	ND 9.041	1	Piston Cup
10	ND 64.950	1	Cylinder
11	ND 2.104	1	Piston Rod

## ASSOCIATED ITEMS NOT INCLUDED IN ASSEMBLY 43.900

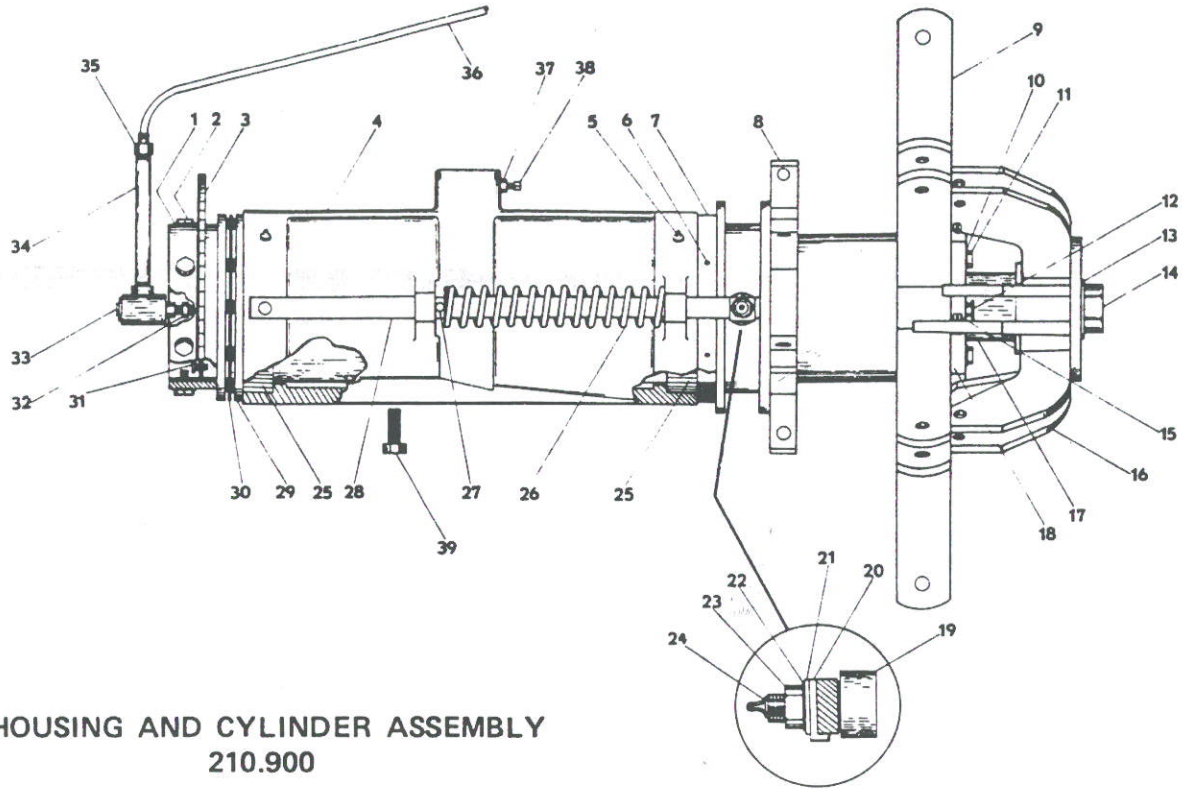
ITEM NO.	PART NUMBER	Q'TY.	DESCRIPTION
12	ND 61.646	1	1/4 x 67 Impolene
13	ND 95.149	1	Cylinder & Spring Rod
14	ND108.149	2	Connector Rod
15	ND 33.061	2	1/8 x 5/8 Drive Pin
16	ND 5.267	1	Diameter Cylinder Connector
17	ND112.149	1	Equalizer Rod
18	ND 6.061	2	1/8 x 1 1/4 Drive Pin
19	ND 2.039	2	3/4 Machine Bushing
20	ND 10.157	2	Bell Crank
21	ND 5.017	2	Spring Terminal
22	ND 5.061	2	1/8 x 1 Drive Pin
23	ND 166.061	1	3/16 x 2 1/2 Cotter Pin

## SPREAD ARMS

ITEM NO.	PART NUMBER	Q'TY.	DESCRIPTION
1	ND497.950	1	Spread Arm
2	ND 23.028	1	1/2 N.C.H.H.C.S. x 2 1/4
3	ND 89.028	1	1/2 N.C.H.H.C.S. x 2 1/2
4	ND 66.108	1	Clipped Washer
5	ND 24.446	1	Sleeve
6	ND 17.110	1	Spread Arm Spring
7	ND 58.055	2	1/2 N.C. Hex Lock Nut



# Repair Parts List For Model 6A/AR/S & 6A/AR/EF/S Spreader

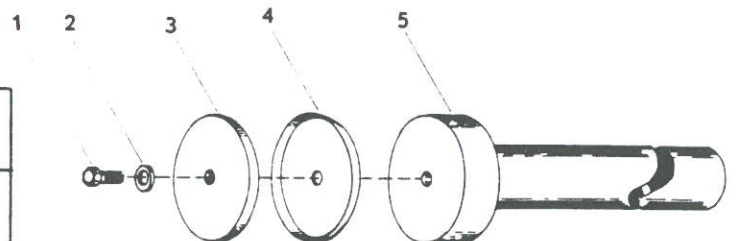


**HOUSING AND CYLINDER ASSEMBLY**  
210.900

ITEM NO.	PART NUMBER	Q'TY.	DESCRIPTION	ITEM NO.	PART NUMBER	Q'TY.	DESCRIPTION
1	ND 38.108	6	7/16 Lockwasher	22	ND 37.108	2	1/2 Lockwasher
2	ND 1.028	6	7/16 N.C. H.H.C.S. x 5/8	23	ND 10.055	2	1/2 N.F. Hex Jam Nut
3	ND296.950	1	Sprocket Assembly	24	ND 10.096	2	3/16 Zerk Fitting
4	ND510.950	1	Housing	25	ND 1.281	98	Roller Bearings
5	ND 8.096	2	1/4 Zerk Fitting	26	ND 9.110	2	Spring
6	ND 4.028	12	5/16 N.C. Socket Hd. Set Sc. x 1/4	27	ND 61.061	2	Slide Bar Pin
7	ND 2.489	1	Front Collar	28	ND 40.104	2	Slide Bar
8	ND 10.489	1	Sliding Collar	29	ND 5.107	2	Ball Race
9	ND206.950	1	Spider & Cylinder Assembly	30	ND 7.107	1	Thrust Bearing Retainer
10	ND 57.108	6	3/8 Lockwasher	31	ND 1.006	1	1/4 Brass Oil Plug
11	ND221.028	6	3/8 N.C. H.H.C.S. x 1 1/4	<b>ASSOCIATED ITEMS NOT INCLUDED IN ASSEMBLY 210.900</b>			
12	ND 4.006	1	1/4 Tapered Cap Plug				
13	ND 12.108	1	1 Lockwasher				
14	ND 17.028	1	1 N.C.H.H.C.S. x 1 3/4				
15	ND 52.061	6	5/16 x 3/4 Drive Pin				
16	ND 3.264	1	Extension Head				
17	See Below	1	Spread Piston				
18	ND496.950	1	Cover Plate				
19	ND 4.281	2	Roller				
20	ND 30.111	2	Inside Arm Bracket				
21	ND 44.108	2	1/2 Plain Washer	32	ND 1.039	1	1/2 - 3/8 Pipe Bushing
				33	ND 94.096	1	3/8 Male, 1/4 Female Swivel
				34	ND 95.096	1	1/4 x 6 Pipe Nipple
				35	ND 14.096	1	1/4 - 1/4 Female Union
				36	ND 60.646	1	1/4 x 40 Impolene
				37	ND 52.055	2	1/4 N.C. Hex Nut
				38	ND 40.028	2	1/4 N.C. Sq. Hd. Set Sc. x 1 1/4
				39	ND209.028	2	5/8 N.C. H.H.C.S. x 1 3/4

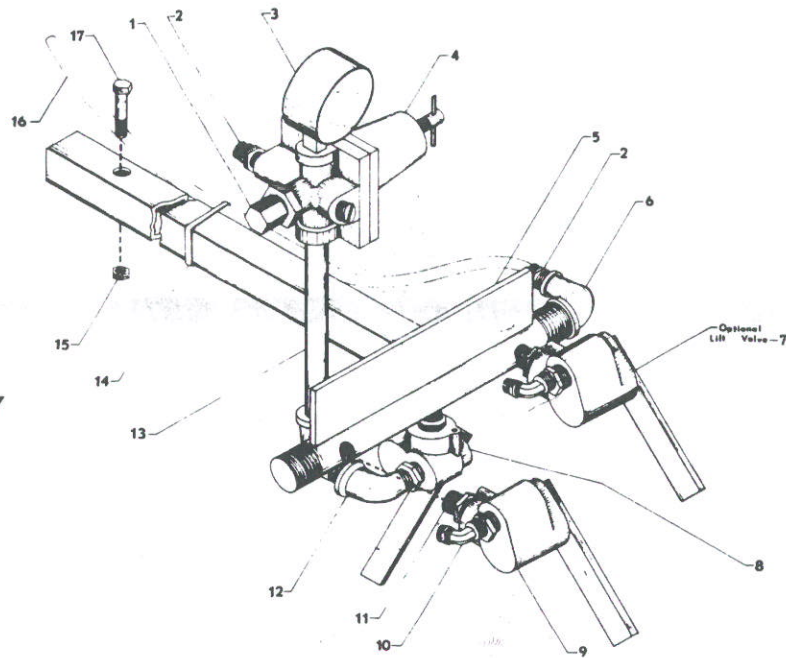
**SPREAD PISTON ASSEMBLY**  
7.900

ITEM NO.	PART NUMBER	Q'TY.	DESCRIPTION
1	ND239.028	1	9/16 N.C. H.H.C.S. x 1 1/4
2	ND240.167	1	14 mm Gasket
3	ND 48.108	1	Piston Plate
4	ND 9.041	1	Piston Cup
5	ND107.950	1	Piston & Rod



# Repair Parts List For Model 6A/AR/S & 6A/AR/EF/S Spreader

## CONTROL VALVE ASSEMBLY



### 6A/AR/S (WITHOUT LIFT) 460.900

ITEM NO.	PART NUMBER	Q'TY.	DESCRIPTION
1	ND 11.020	1	1/4 Pipe Cap
2	ND 11.096	2	1/4 - 1/4 Male Union
3	ND 4.023	1	2", 200 lb. Gauge
4	ND 15.190	1	Regulator
5	ND628.950	1	Valve Manifold
6	ND 93.096	1	1/2 - 1/4 90° Reducing Elbow
7	ND 1.006	1	1/4 Brass Oil Plug
* 8	ND 16.190	1	No. 30R 3-way Valve
* 9	ND 3.190	1	No. 30 3-way Valve
10	ND 34.096	1	1/4 - 1/4 Male Elbow Conn.
11	ND221.096	2	1/4 Close Nipple
12	ND 38.096	2	1/4 90° Street Elbow
13	ND 46.096	1	1/4 x 4 Pipe Nipple

### ASSOCIATED ITEMS NOT INCLUDED IN ASSEMBLY 460.900

14	ND 61.017	3	Cable Tie
15	ND 52.055	1	1/4 N.C. Hex Nut
16	ND 58.646	1	1/4 x 30 Impolene
17	ND 11.028	1	1/4 N.C.H.H.C.S. x 1 1/4

### 6A/AR/EF/S (WITH LIFT) 459.900

ITEM NO.	PART NUMBER	Q'TY.	DESCRIPTION
1	ND 11.020	1	1/4 Pipe Cap
2	ND 11.096	2	1/4 - 1/4 Male Union
3	ND 4.023	1	2", 200 lb. Gauge
4	ND 15.190	1	Regulator
5	ND628.950	1	Valve Manifold
6	ND 93.096	1	1/2 - 1/4 90° Reducing Elbow
* 7	ND 4.190	1	No. 60 3-way Valve
* 8	ND 16.190	1	No. 30R 3-way Valve
* 9	ND 3.190	1	No. 30 3-way Valve
10	ND 34.096	2	1/4 - 1/4 Male Elbow Conn.
11	ND221.096	3	1/4 Close Nipple
12	ND 38.096	2	1/4 90° Street Elbow
13	ND 46.096	1	1/4 x 4 Pipe Nipple

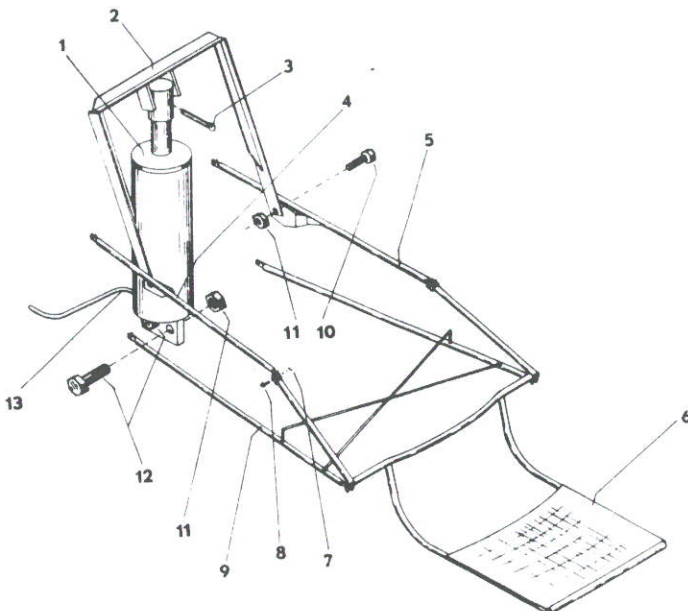
### ASSOCIATED ITEMS NOT INCLUDED IN ASSEMBLY 459.900

14	ND 61.017	3	Cable Tie
15	ND 52.055	1	1/4 N.C. Hex Nut
16	ND 58.646	1	1/4 x 30 Impolene
17	ND 11.028	1	1/4 N.C.H.H.C.S. x 1 1/4

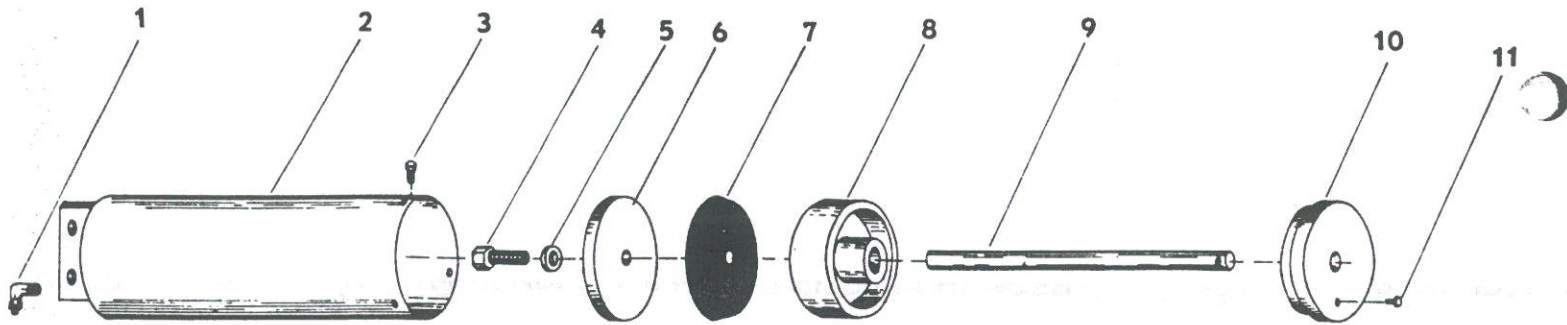
\* SEE INSERT FOR PARTS BREAKDOWN

## LIFT ASSEMBLY ND192.950 (on EF only)

ITEM NO.	PART NUMBER	Q'TY.	DESCRIPTION
1	See Page 6	1	Lift Cylinder
2	ND463.950	1	Yoke
3	ND 44.061	1	3/16 x 2 Cotter Pin
4	ND215.950	1	Upper Arm, Left
5	ND214.950	1	Upper Arm, Right
6	ND213.950	1	Cradle
7	ND 9.061	8	5/32 x 1 Drive Pin
8	ND 1.003	8	Drilled Rivet
9	ND 219.950	1	Lower Arm
10	ND 285.028	2	1/2 N.C.H.H.C.S. x 1
11	ND 58.055	2	1/2 N.C. Hex Lock Nut
12	ND 47.028	2	1/2 N.C. H.H.C.S. x 1 3/4
13	ND 56.646	1	1/4 x 75 Impolene

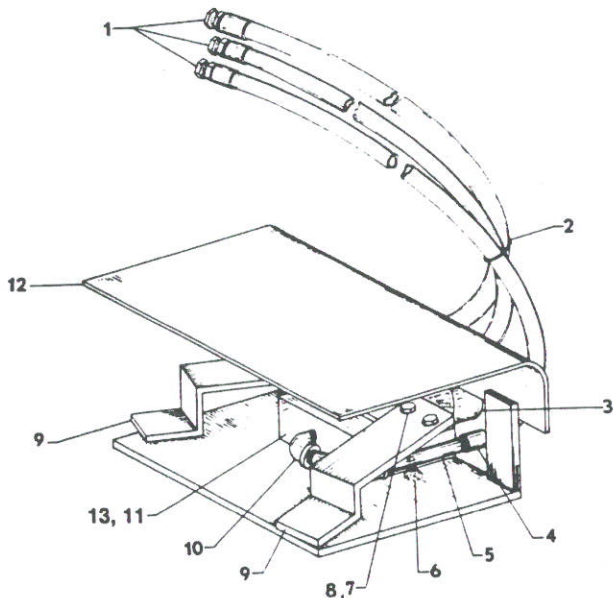


# Repair Parts List For Model 6A/AR/S & 6A/AR/EF/S Spreader



LIFT CYLINDER ASSEMBLY 191.950

ITEM NO.	PART NUMBER	Q'TY.	DESCRIPTION	ITEM NO.	PART NUMBER	Q'TY.	DESCRIPTION
1	ND 34.096	1	1/4 - 1/4 Male Elbow Connector	7	ND 15.041	1	Piston Cup
2	ND503.950	1	Cylinder	8	ND 23.051	1	Piston
3	ND 2.028	3	5/16 N.C. H.H.C.S. x 5/8	9	ND109.149	1	Piston Rod
4	ND239.028	1	9/16 N.C. H.H.C.S. x 1 1/4	10	ND 3.098	1	Cover Plate
5	ND240.167	1	14 mm Gasket	11	ND 4.006	1	1/4 Tapered Cap Plug
6	ND 32.108	1	Piston Cup Washer				

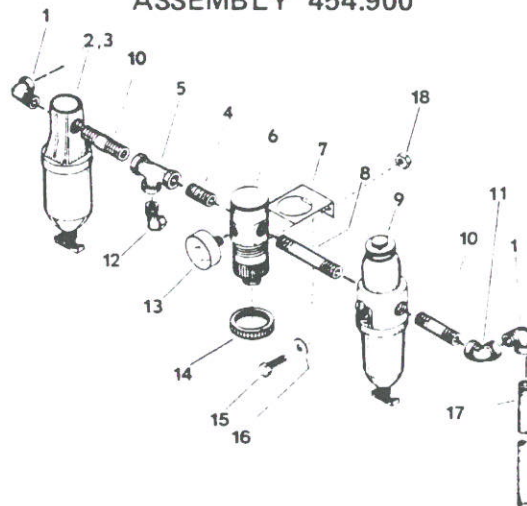


AIR SWITCH ASSEMBLY 463.900

ITEM NO.	PART NUMBER	Q'TY.	DESCRIPTION
1	ND 90.646	3	Air Hose
2	ND 61.017	3	Cable Tie
3	ND 13.885	1	Muffler
4	ND107.096	1	1/4 Pipe Coupler
5	ND 8.268	1	1/4 x 3 Pipe Nipple
6	ND140.028	2	5/16 x 3/4 N.C.F.H.M.S.
7	ND132.028	4	1/4 x 1/2 N.C.H.H.C.S.
8	ND 63.108	4	1/4 Lockwasher
9	ND 3.218	2	Foot Pedal Extension
10	ND 38.096	2	1/4 90° Street Elbow
11	ND 43.190	1	Air Valve
12	ND 30.005	1	Base & Shield
13	ND 5.218	1	Foot Pedal

ITEM NO.	PART NUMBER	Q'TY.	DESCRIPTION
1	ND 38.096	2	1/4 x 90° Street Elbow
2	ND 10.018	1	Filter
3	ND 11.018	1	Filter Element Only
4	ND221.096	1	1/4 Close Nipple
5	ND249.096	1	1/4 - 1/4 - 1/4 Pipe Tee
6	ND 39.190	1	Regulator
7	ND338.111	1	Regulator Bracket
8	ND 8.268	1	1/4 x 3 Pipe Nipple
9	ND 1.188	1	Lubricator
10	ND 7.096	1	1/4 x 2 Pipe Nipple
11	ND 69.096	1	1/4 x 90° Elbow
12	ND 34.096	1	1/4 - 1/4 Male Elbow Connector
13	ND 7.023	1	Pressure Gauge Only
14	ND 96.055	1	Regulator Mount Nut

FILTER - REGULATOR - LUBRICATOR ASSEMBLY 454.900



ASSOCIATED ITEMS NOT INCLUDED IN ASSEMBLY 454.900

15	ND 10.028	2	1/4 N.C.H.H.C.S. x 3/4
16	ND 13.108	2	1/4 S.A.E. Plain Washer
17	ND 99.096	1	1/4 x 44 1/2 Pipe Nipple
18	ND 52.055	2	1/4 N.C. Hex Nut
19	ND340.111	1	Pipe Bracket (Not Shown)

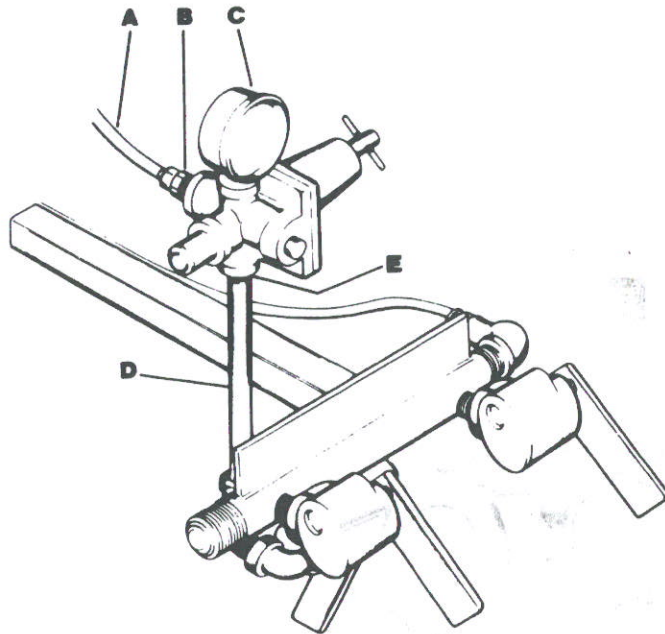
# Branick

## Tire Handling Equipment

**Supplemental  
Operating Instructions**  
For Gentread System  
Band Type Tire Spreader  
MODEL 6A/AR/S, 6A/AR/EF/S,  
6A/ER/S, 6A/ER/EF/S

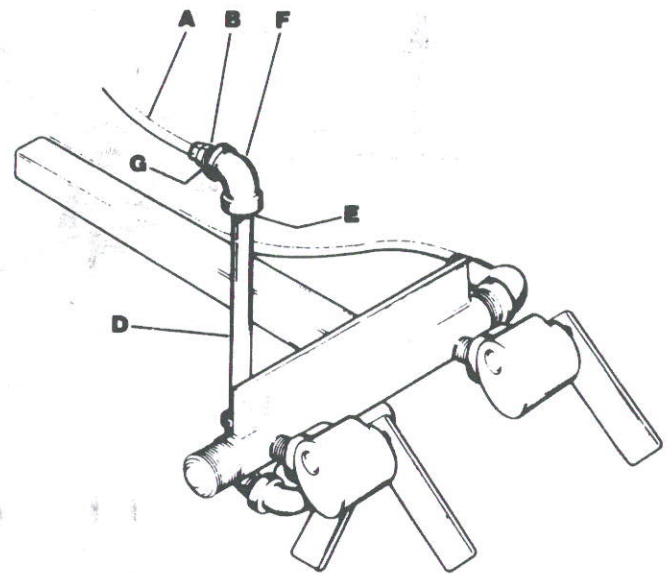
### SPREADER AIR REQUIREMENT CHANGES

If spreader is used for loading the Gentread Pre-Cure System (General Tire & Rubber Company), changes must be made according to the following instructions.



#### STEP 1.

Turn off air supply to machine. Disconnect air line (A) (Branick part no. ND61.646) from male union (B) (Branick part no. ND11.096). Remove male union from regulator/gauge combination (C) (Branick part no's. ND15.190, ND4.023, ND11.020), remove regulator/gauge combination from pipe nipple (D) (Branick part no. ND46.096) at location E.



#### STEP 2.

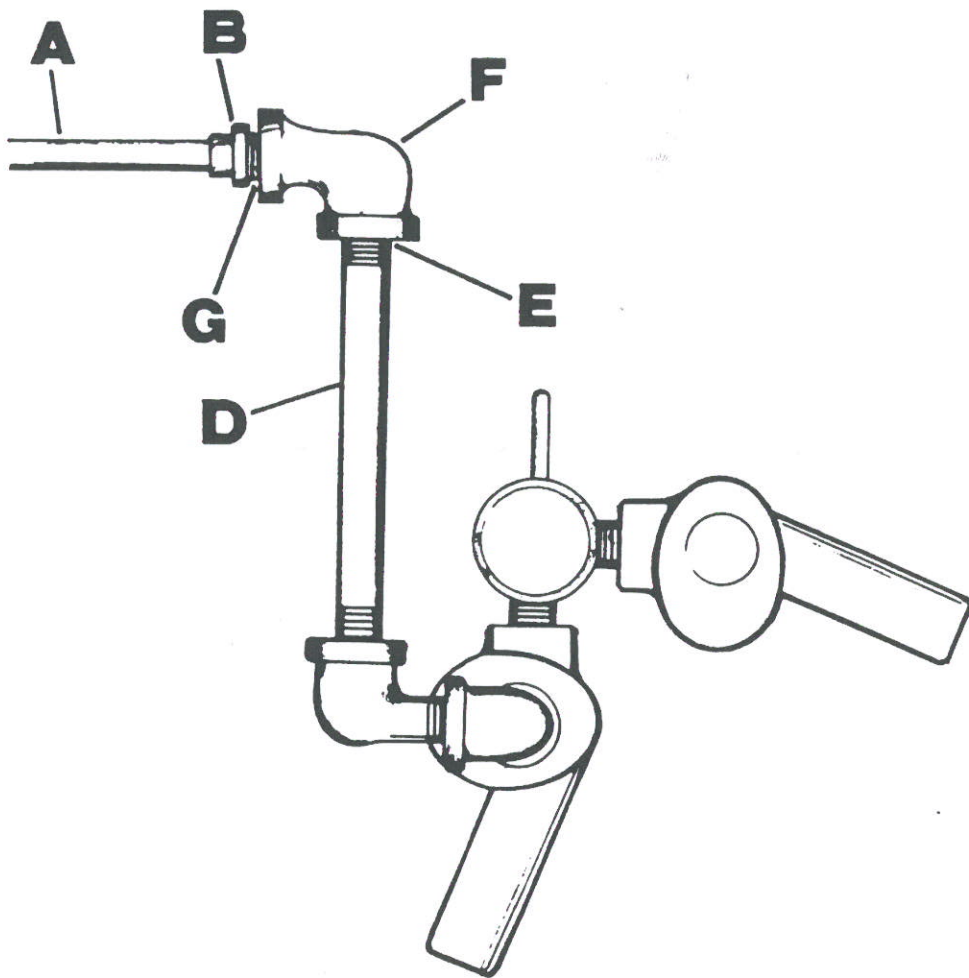
Connect 1/4-18 90° elbow (F) (Branick part no. ND69.096) to pipe nipple at E using standard thread sealing compound. Install male union into elbow at G using standard thread sealing compound. Connect air line. Turn air supply on. Machine is now ready for operation. See reverse side for auxiliary view.

The above changes will allow full line air pressure to the diameter cylinder and spreader arms. This spreader is designed for normal operation on line air pressures up to 200 PSI. It is recommended that for the above type of operation, line air pressure should range from 180-200 PSI.

The above changes are to insure a safe operation by preventing the beads from slipping off the bead shoes when spreading heavy ply tires and wire tires.

BRANICK INDUSTRIES, INC.  
2600-3rd Avenue North, Box 1937  
Fargo, North Dakota 58107

# Branick®



C



# Repair Parts List For Model 6A/AR/S & 6A/AR/EF/S Spreader

**NOTE:** Orders for parts cannot be filled unless both models and serial number with prefix imprinted on nameplate are given.

---

## COMMERCIAL WARRANTY

This equipment is warranted by BRANICK INDUSTRIES, INC. to the original commercial user-owner against defective materials or workmanship for a period of one year from the date of delivery, except for Models BTJ, EL-200, TRC, ALJ, PHJ, BCL, TTC, DWL, FTB-A/H, FTB-H, FTB-M, EMB-10, EMB-10/PP, TD, and RSL, which are warranted for ninety (90) days. During the warranty period, equipment found to be defective will be repaired or replaced (at the warrantor's option) without charge. The equipment must be returned, transportation charges prepaid, with proof of delivery date to BRANICK INDUSTRIES, INC., Fargo, North Dakota 58102. The repaired or replaced equipment will be returned with transportation charges prepaid by Branick.

This warranty does not cover defects in the equipment caused by ordinary wear and tear, abuse, misuse, overloading, accident (including shipping damage), improper maintenance, alteration, use of improper fluids, or any other cause not the result of defective materials or workmanship.

REPAIR OR REPLACEMENT IS THE EXCLUSIVE REMEDY FOR DEFECTIVE EQUIPMENT UNDER THIS WARRANTY. THIS WARRANTY IS EXPRESSLY IN LIEU OF ALL OTHER WARRANTIES, INCLUDING ANY IMPLIED WARRANTY OF MERCHANTABILITY OR ANY IMPLIED WARRANTY OF FITNESS FOR A PARTICULAR PURPOSE ON THIS EQUIPMENT. BRANICK INDUSTRIES, INC. SHALL NOT BE LIABLE FOR ANY CONSEQUENTIAL OR INCIDENTAL DAMAGES FOR BREACH OF ANY EXPRESS OR IMPLIED WARRANTY ON THIS EQUIPMENT.

WHEN THE QUESTION OF WARRANTY CLAIMS ARISE, CONTACT BRANICK FACTORY AT FARGO, NORTH DAKOTA.

Service parts, warranty, and regular repair service for products are available from Branick.

Should you require assistance, please contact:

BRANICK INDUSTRIES, INC.  
2600-3rd Avenue North, Box 1937  
Fargo, North Dakota 58107  
701-235-4446 TLX 29-2223

---

BRANICK INDUSTRIES, INC.  
2600-3rd Avenue North, Box 1937  
Fargo, North Dakota 58107  
701-235-4446 TLX 29-2223

The logo for Branick Industries, featuring the word "Branick" in a large, stylized, cursive script font. A registered trademark symbol (®) is located at the end of the word.

Printed in U.S.A.