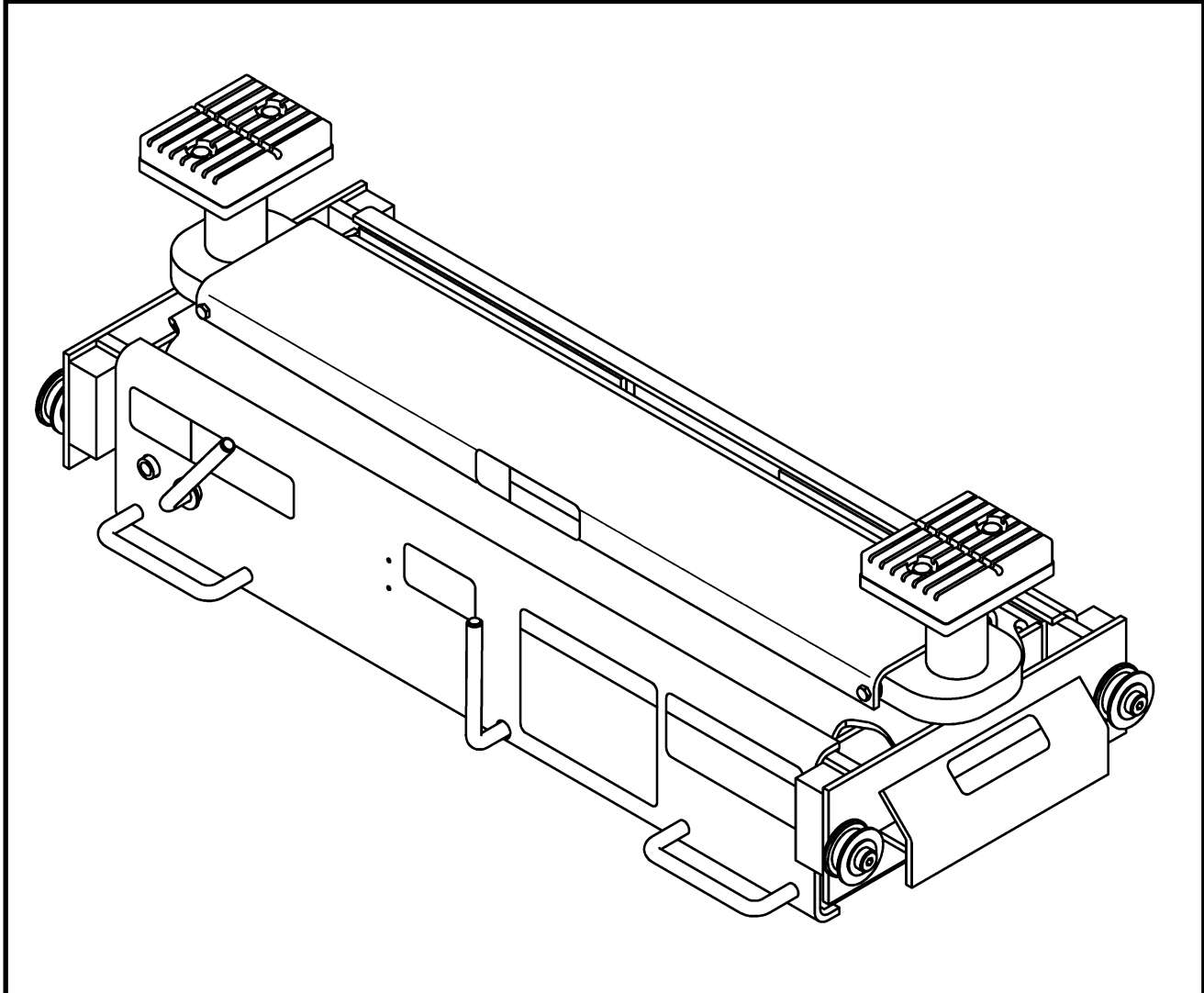




**8700 Series  
8900 Series  
Rolling Air Jacks**

**Installation, Operation  
& Repair Parts  
Information**



**- NOTICE -**

**AIR SUPPLY MUST HAVE IN-LINE FILTER/REGULATOR/LUBRICATOR  
(NOT INCLUDED) TO VALIDATE THE ROLLING AIR JACK WARRANTY**

**ATTENTION!** This lift is intended for indoor use only. It is prohibited to install this product outdoors. Failure to adhere will result in decertification, loss of warranty, and possibly damage to the equipment.

Branick Industries, Inc. • 4245 Main Avenue • Fargo, North Dakota 58103

## CAUTION

- ◆ Before using this product, read and fully understand the operating instructions and all decals on the product. This is necessary to prevent injury to the operator and damage to the product.
- ◆ Roll jack forward before moving vehicle on or off lift.
- ◆ Do not attempt to use this jack for anything other than its intended purpose.
- ◆ If jack begins to tilt as the vehicle is raised, STOP! Lower the jack and reposition the vehicle.
- ◆ Do not use this jack if it is visibly worn, distorted or damaged.
- ◆ Maximum air operating pressure not to exceed 120 p.s.i. Air supply must have in-line filter/regulator/lubricator.
- ◆ Always wear appropriate eye protection.

## WARNING

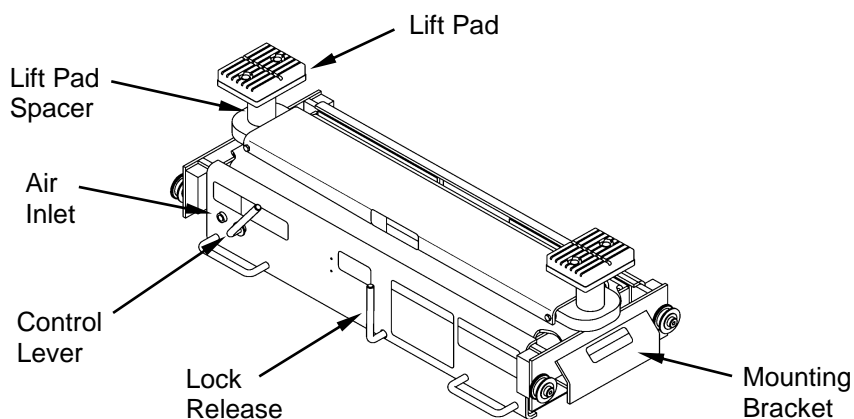
- ◆ Maximum lift capacity of 8700 series jack is 7000 lbs. (3175 kg)  
Maximum lift capacity of 8900 series jack is 9000 lbs. (4082 kg)  
Exceeding this could result in severe personal injury or death.
- ◆ Lift vehicle at manufacturer's recommended pick-up points only. Vehicle weight must be evenly distributed on each jack lift pad.
- ◆ Keep fingers and hands clear of all pinch points at all times.

## SPECIFICATIONS

|                                |                       |
|--------------------------------|-----------------------|
| Lift Capacity 8700 Series..... | 7000 lbs. (3175 kg)   |
| Lift Capacity 8900 Series..... | 9000 lbs. (4082 kg)   |
| Maximum Air Pressure.....      | 120 p.s.i. (8.25 bar) |
| Lift Height.....               | 10 inches (254 mm)    |
| Lift Pad Spread.....Min.....   | 33 inches (838 mm)    |
| Max.....                       | 50 inches (1270 mm)   |

## CONTENTS

- Rolling Air Jack Assembly
- Rolling Air Jack Mounting Brackets



## INSTALLATION

Installation of jacks and lifts shall be performed in accordance with ANSO/ALI ALIS, Safety Requirements for Installation and Service of Automotive Lifts.

For additional safety instructions regarding lifting, lift types, warning labels, preparing to lift, vehicle spotting, vehicle lifting, maintaining load stability, emergency procedures, vehicle lowering, lift limitations, lift maintenance, good shop practices, installation, operator training and owner/employer responsibilities, please refer to "Lifting It Right" (ALI/SM) and "Safety Tips" (ALI/ST).

For additional instructions on general requirements for lift operation, please refer to "Automotive Lift-Safety Requirements for Operation, Inspection and Maintenance" (ANSI/ALI ALOIM).

- 1) Install a ¼" NPT male quick-disconnect coupling (not included) in air inlet to match shop fittings. Install an in-line filter/regulator/lubricator (not included) within 20 feet of jack. Operating pressure 80-120 psi.
- 2) Install lift rack mounting brackets per instructions included with brackets.

### NOTE:

Check each jack Mounting Bracket application decal to be certain the Mounting Brackets and the model lift rack on which it is installed are compatible.

- 3) Position the jack assembly on the lift rack so the rollers rest on the rails.

## OPERATION

### NOTE:

Before lifting a vehicle, operate the jack through a couple of cycles to become familiar with the controls.



- 1) Roll jack forward before moving vehicle on lift rack. Be sure vehicle is centered on rack, apply parking brake and chock wheels.
- 2) Roll jack to the vehicle manufacturer's recommended pick-up points. Extend Lift Pad Arms to proper lift points. Use Lift Pad Spacers if necessary.



- 3) Raise jack by moving the Control Lever to the "RAISE" position.



- 4) Raise vehicle to desired height.

- 5) To lower jack, hold the Lock Release Lever to the left while moving the Control Lever to the "LOWER" position. If jack does not lower, raise it slightly while holding the Lock Release Lever to the left until you feel the lock move past the detent, then continue to lower jack.
- 6) Lower jack completely, slide Lift Pad Arms in and remove Lift Pad Spacers (if used). Roll jack forward before moving vehicle off rack.

## **MAINTENANCE**

**DAILY** - Inspect jack and it's components for damage or excessive wear. Replace parts as required (see repair parts).

**DAILY** - Inspect air/hydraulic system for leaks.  
Check in-line lubricator oil level.

**ANNUALLY** - Check hydraulic pump fluid level (see below).

## **FLUID LEVEL CHECK & FILL PROCEDURE**

- 1) Raise jack all the way up.
- 2) Locate the two 1/4" spring pins in the pivot pin blocks. Using a 1/4" punch, drive the spring pins into the pivot pins. Remove the pivot pins and be sure to punch the spring pins out and save for reassembly (Fig. 1).
- 3) Remove the two 1/2" allen head screws (Fig. 1).
- 4) Remove the top section of the jack.
- 5) Completely lower the jack lift arms.
- 6) Block up the "cylinder end" of jack about 6 inches.
- 7) Wipe area around filler plug to prevent contamination of oil. Remove filler plug and check oil level (Fig. 2). Oil level should be at the top of the filler plug hole.
- 8) Fill as required with ATF, Dextron II, or 5605 oil. Take care to prevent contamination during fill.
- 9) Remove blocks and level jack. Top off fluid to the top of filler plug hole.
- 10) Reinstall plug, **hand tighten only**.

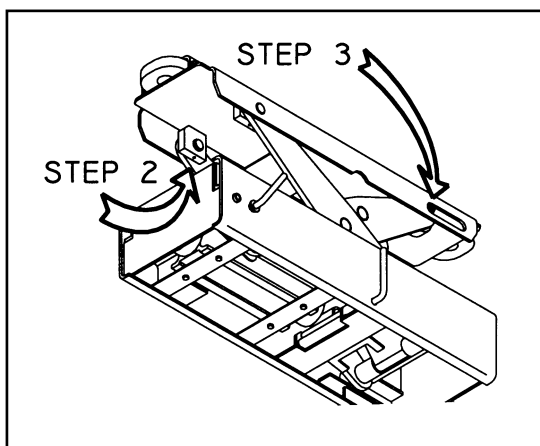


Fig. 1

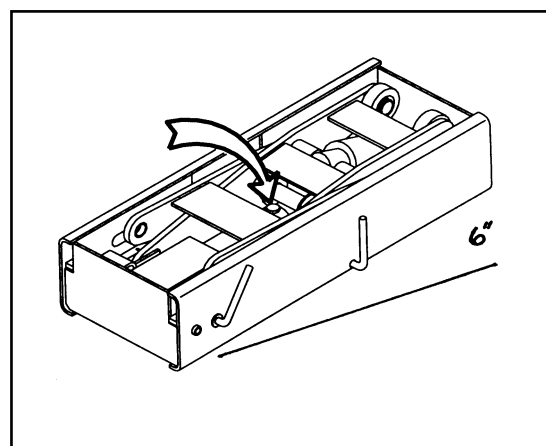
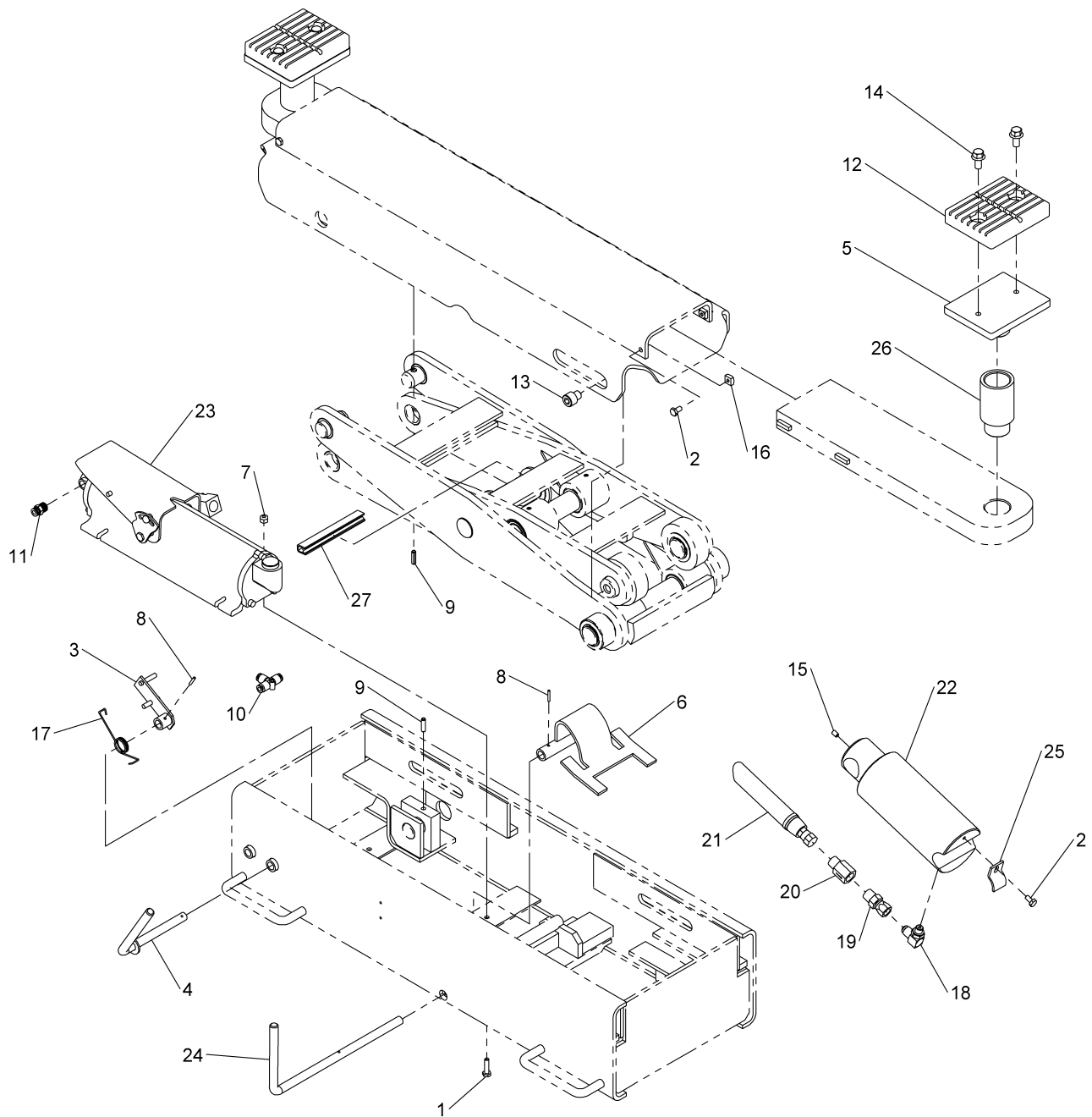


Fig. 2

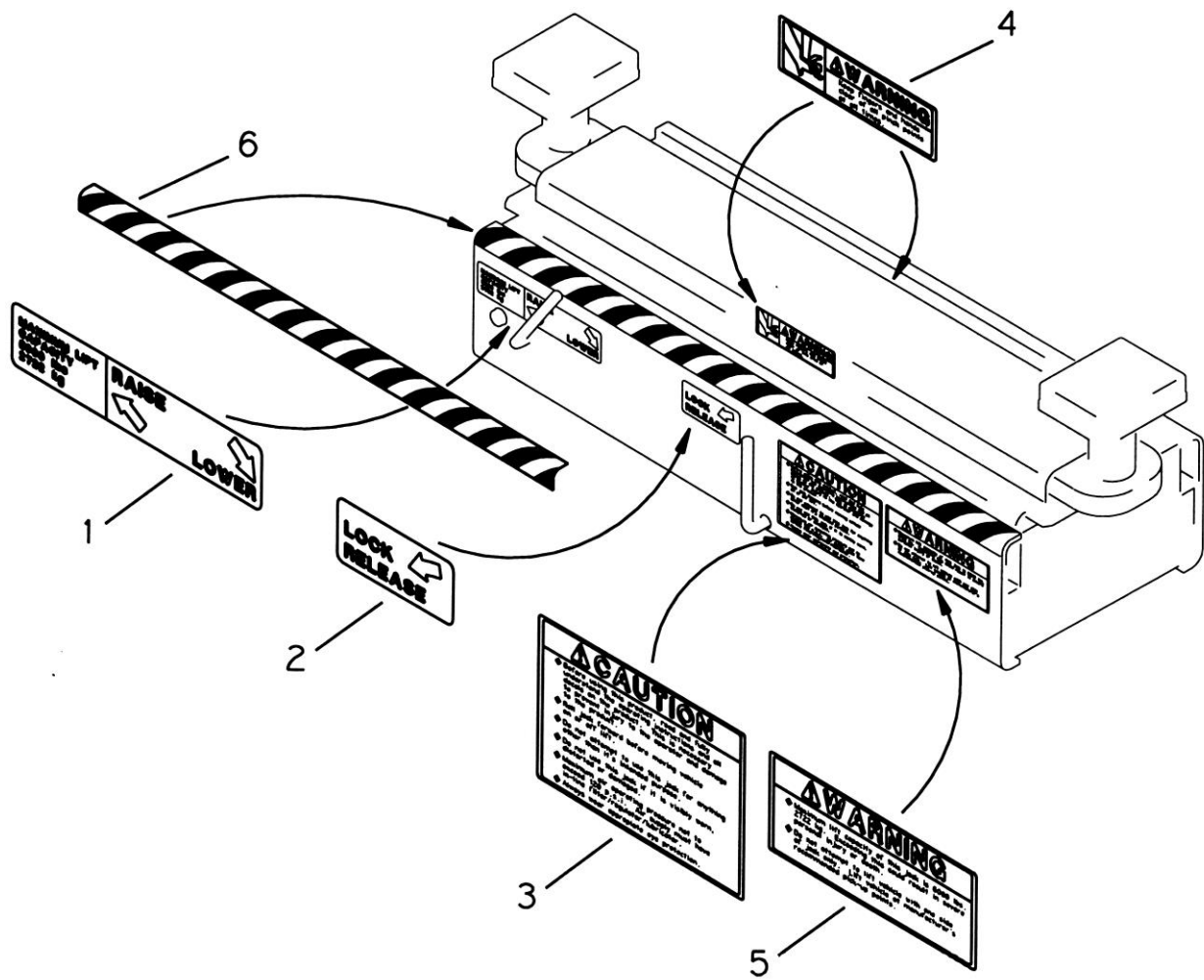


**ROLLING AIR JACK REPAIR PARTS**

| ITEM | QTY | PART NO. | DESCRIPTION               |
|------|-----|----------|---------------------------|
| 1    | 4   | 028-041  | 1/4-20 X 1 HHC SCREW      |
| 2    | 5   | 028-132  | 1/4-20 X 1/2 HHC SCREW    |
| 3    | 1   | 03-0126  | LINKAGE BAR               |
| 4    | 1   | 03-0129  | LINKAGE ROD               |
| 5    | 2   | 03-0131  | LIFT PAD                  |
| 6    | 1   | 03-0132  | LATCH                     |
| 7    | 4   | 055-160  | 1/4-20 NYLON HEX LOCK NUT |
| 8    | 2   | 061-032  | 1/8 X 3/4 SPRING PIN      |

| ITEM | QTY | PART NO. | DESCRIPTION                         |   |
|------|-----|----------|-------------------------------------|---|
| 9    | 4   | 061-091  | 1/4 X 7/8 SPRING PIN                |   |
| 10   | 1   | 096-339  | 1/4 TUBE UNION TEE                  |   |
| 11   | 3   | 096-340  | 1/4 TUBE X 1/4 NPT M CONN           |   |
| 12   | 2   | 10-0017  | RUBBER LIFT PAD                     |   |
| 13   | 2   | 50-0043  | 1/2-13 X 1/2 HSHC SCREW             |   |
| 14   | 4   | 50-0065  | 3/8-16 X 3/4 HHSF SCREW             |   |
| 15   | 1   | 50-0066  | 1/4-20 X 3/8 SET SCREW              |   |
| 16   | 4   | 51-0016  | 1/4-20 HEAVY SQUARE NUT             |   |
| 17   | 1   | 55-0012  | TORSION SPRING                      |   |
| 18   | 1   | 60-0023  | 9/16-18 JIC TO 7/16-20 O-RING M ELB |   |
| 19   | 1   | 60-0324  | 3/8 NPT M X 9/16-18 F SWIVEL        |   |
| 20   | 1   | 60-0325  | IN-LINE METERING VALVE              |   |
| 21   | 1   | 62-0036  | HYDRAULIC HOSE                      |   |
| 22   | 1   | 63-0004  | HYDRAULIC CYLINDER                  |   |
| 23   | 1   | 63-0012  | 8700 & 8900 SERIES AIR/HYD PUMP     |   |
| 24   | 1   | 73-0332  | LATCH PIVOT ROD                     |   |
| 25   | 1   | 73-0343  | RETAINER TAB                        |   |
| 26   | 2   | 73-0349  | LIFT PAD SPACER                     |   |
| 27   | 1   | D20-027  | U-CHANNEL TRIM                      |   |
| 28   | 1   | D20-007  | 1/4 OD (YELLOW) TUBE                | * |

\* Items not shown



### INSTRUCTIONAL DECALS

| ITEM | PART NO | QTY  | DESCRIPTION                             |
|------|---------|------|---|
| 1    | 80-0253 | 1    | 8700 Series Raise/Lower Decal (7000 lb) |
|      | 80-0103 | 1    | 8900 Series Raise/Lower Decal (9000 lb) |
| 2    | 80-0079 | 1    | Lock Release Decal                      |
| 3    | 80-0080 | 1    | Caution Decal                           |
| 4    | 80-0083 | 2    | Warning Decal                           |
| 5    | 80-0254 | 1    | 8700 Series Warning Decal (7000 lb)     |
|      | 80-0104 | 1    | 8900 Series Warning Decal (9000 lb)     |
| 6    | M00-003 | 128" | Caution Stripe Tape                     |

## COMMERCIAL WARRANTY

This product is warranted by BRANICK INDUSTRIES, INC. to the original user-owner against defective materials or workmanship for a period of one year from the date of shipment. During the warranty period, at the discretion of Branick management, if the product is found to be defective, it will be repaired or replaced without charge. For service, contact Branick (800-437-4394) to obtain an RMA. Any product shipped to Branick must have an RMA and proof of original shipment date. The repaired or replacement product will be returned with transportation charges prepaid by Branick.

This warranty does not cover defects in the product caused by ordinary wear and tear, abuse, misuse, overloading, accident (including shipping damage), improper maintenance, alteration, or any other cause not the result of defective materials or workmanship.

REPAIR OR REPLACEMENT IS THE EXCLUSIVE REMEDY FOR DEFECTIVE PRODUCT UNDER THIS WARRANTY. THIS WARRANTY IS EXPRESSLY IN LIEU OF ALL OTHER WARRANTIES, INCLUDING ANY IMPLIED WARRANTY OF MERCHANTABILITY OR ANY IMPLIED WARRANTY OF FITNESS FOR A PARTICULAR PURPOSE OF THIS PRODUCT. BRANICK INDUSTRIES, INC. SHALL NOT BE LIABLE FOR ANY CONSEQUENTIAL OR INCIDENTAL DAMAGES.

BRANICK INDUSTRIES, INC. reserves the right to make changes in the design or construction of our products without obligation to incorporate such changes in products already sold and without notice.

Service parts and regular repair service are available from authorized distributors of Branick products, or from:

BRANICK INDUSTRIES, INC.  
4245 Main Ave.  
 Fargo, North Dakota 58103  
Toll Free: 800-437-4394



[www.branick.com](http://www.branick.com)