



MODEL 5200  
Tire Repair Station

Installation, Operation  
and Repair Parts  
Information



## TABLE OF CONTENTS

---

SAFETY INSTRUCTIONS	1
DEFINITIONS	1
SPECIFICATIONS	2
INSTALLATION INSTRUCTIONS	2
OPERATING INSTRUCTIONS	2
MAINTENANCE INSTRUCTIONS	2
REPAIR PARTS	3
WARRANTY	7

## SAFETY INSTRUCTIONS

---

- NEVER allow unauthorized personnel to operate this product.
- NEVER use this product for anything other than its intended use.
- THOROUGHLY train new employees in the proper use and care of this product.
- PROHIBIT unauthorized personnel from being in shop area while this product is in use.

## DEFINITIONS

---

- **CAUTION:** Indicates a potentially hazardous situation, which if not avoided, may result in damage to property or minor personal injury.
- **HAZARD:** A source of potential injury to a person.
- **MAINTENANCE:** Those actions that preserve the correct and proper conditions under which the machine shall be used. This may include adjustment, replacement of wear items, lubrication and cleaning, but not modifications or repair of damage.
- **MAY:** This word is understood to be permissive.
- **MUST:** This word is understood to be mandatory.
- **OPERATION:** The correct and proper use of the machine as described in this manual.
- **SAFETY ALERT SYMBOL:** A symbol that indicates a potential personal safety hazard. It is composed of an equilateral triangle surrounding an exclamation point.
- **SHALL:** This word is understood to be mandatory.
- **SHOULD:** This word is understood to be advisory.
- **WARNING:** Indicates a potentially hazardous situation, which if not avoided, may result in death or serious personal injury.

## CAUTION

- ◆ Before using this product, read and fully understand the operating instructions and all decals on the product. This is necessary to prevent injury to the operator and damage to the product.
- ◆ Use this product only for spreading and repairing tire casings. Do not use this product for any other purpose.
- ◆ Keep fingers and hands clear of spread hooks during tire spread.
- ◆ Do not use this product if it is visibly worn, distorted or damaged.
- ◆ Always wear appropriate eye protection.

### **SPECIFICATIONS**

---

Tire Size:	17.50-10 four-ply to 16.00-24.5 twenty-ply
Max Spread:	24 inches (61 cm)
Dimensional data:	38.5 x 25 x 18 in (98 x 63.5 x 46 cm)
Weight:	180 lbs (81.6 kgs)

### **INSTALLATION**

---

- 1) Uncrate spreader and remove wrappings and barrier material from air valves.
- 2) Inspect unit for damage in shipping.
- 3) Connect air line to inline filter at foot valve.

### **OPERATION**

---

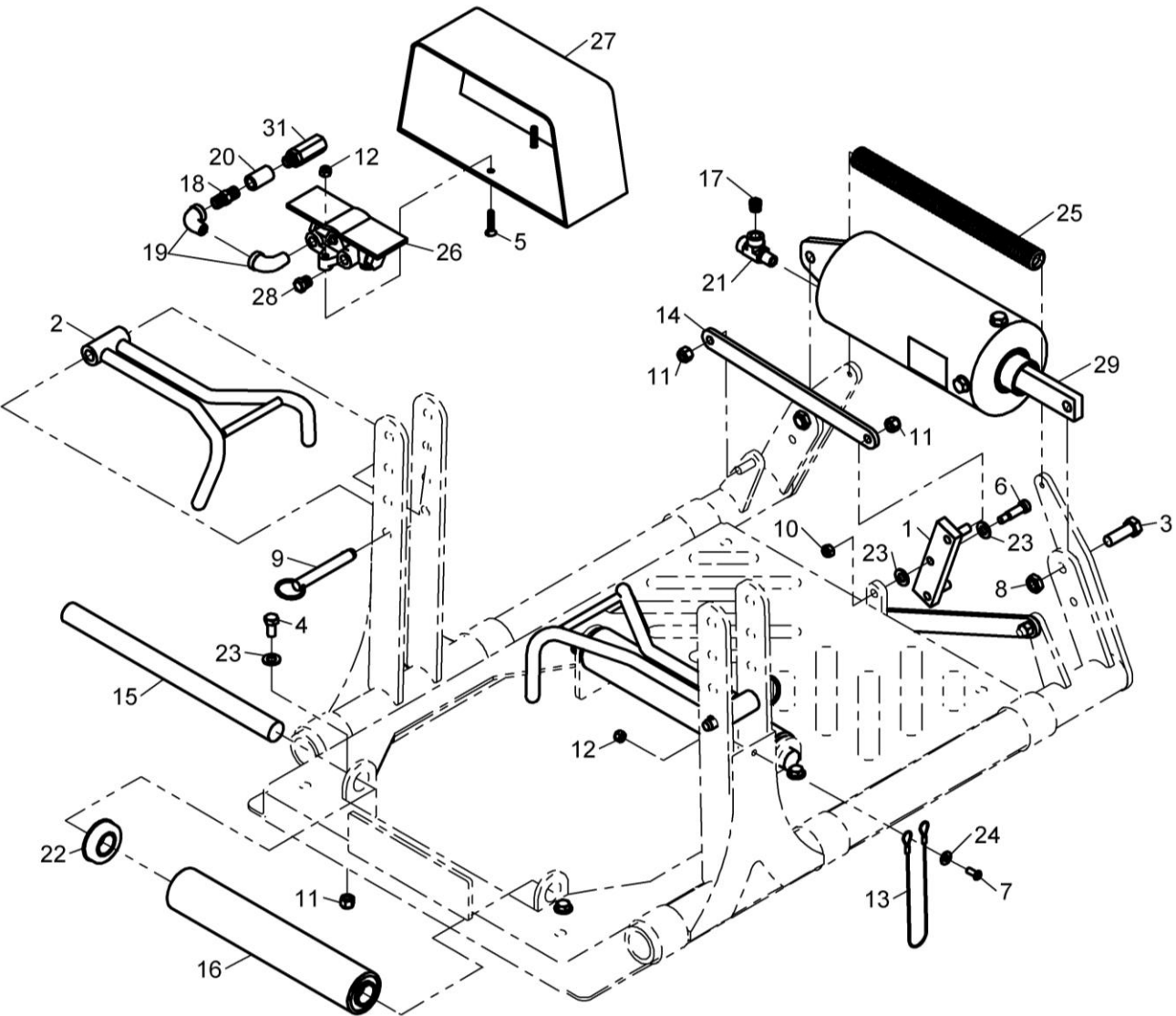
- 1) Roll tire onto support rollers.
- 2) Use detent pin to adjust hooks to proper level for tire size, hooks should slope slightly upward toward tire.
- 3) Use "Spread" foot pedal to spread tire. Valve will hold tire at desired spread width.
- 4) Use "Release" foot pedal to release spread.
- 5) When hooks are fully relaxed, move hooks out of tire and roll tire off spreader.

### **MAINTENANCE**

---

**Monthly:** Lubricate the pivot points of spread hooks, spread arms and cylinder ends.

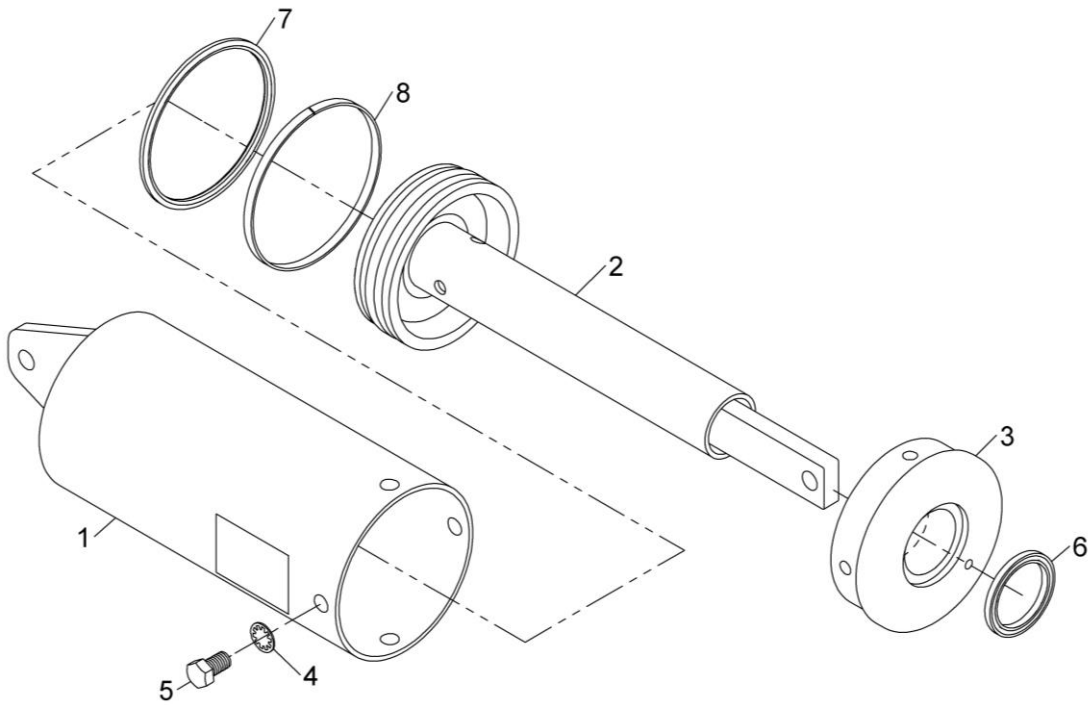
**Every Six Months:** Remove air cylinder cover plate, piston and rod. Clean thoroughly. Reassemble and add ½ cup of clean oil in rear of cylinder through pipe tee on end of cylinder.



Spreader Assembly

## Spreader Assembly Components

ITEM	QTY	PART NO.	DESCRIPTION
1	1	03-0036	PIVOT LINK
2	2	03-0302	SPREAD HOOK
3	2	028-025	1/2 X 1-1/2 SCREW
4	4	028-133	3/8 X 3/4 SCREW
5	2	028-390	1/4 X 1-1/4 SCREW
6	1	50-0027	3/8 X 1 SHOULDER SCREW
7	2	50-0125	1/4 X 5/8 SCREW
8	2	51-0059	1/2 NYLON LOCK JAM NUT
9	2	54-0055	ADJUSTMENT PIN
10	1	055-145	5/16 NYLON LOCK NUT
11	8	055-154	3/8 NYLON LOCK NUT
12	4	055-160	1/4 NYLON LOCK
13	2	59-0087	LANYARD
14	2	71-0436	LINKAGE ARM
15	2	73-1190	ROLLER ROD
16	2	74-0387	ROLLER
17	1	096-004	1/4 NPT PLUG
18	1	096-013	1/4 NPT NIPPLE
19	2	096-038	1/4 NPT ELBOW
20	1	096-107	1/4 NPT COUPLER
21	1	096-155	1/4 NPT TEE
22	4	107-016	BEARING
23	6	108-015	3/8 WASHER
24	2	108-110	1/4 WASHER
25	1	110-011	SPRING
26	1	190-277	FOOT VALVE
27	1	835-020	FOOT GUARD
28	1	835-035	BREATHER FITTING
29	1	900-187	SPREAD CYLINDER
30	1	900-193	AIR LINE (Not Shown)
31	1	932-001	INLINE FILTER



### Cylinder Assembly

ITEM	QTY	PART NO.	DESCRIPTION
1	1	950-194	SPREAD CYLINDER HOUSING
2	1	950-195	PISTON ROD ASSEMBLY
3	1	098-327	COVER PLATE
4	4	108-038	7/16 WASHER
5	4	028-005	7/16-14 x 3/4 SCREW
6	1	041-202	ROD SEAL
7	1	61-0028	QUAD RING SEAL
8	1	11-0065	NYLON WEAR STRIP

This page intentionally left blank.

## COMMERCIAL WARRANTY

This product is warranted by BRANICK INDUSTRIES, INC. to the original user-owner against defective materials or workmanship for a period of one year from the date of shipment. During the warranty period, at the discretion of Branick management, if the product is found to be defective, it will be repaired or replaced without charge. For service, contact Branick (800-437-4394) to obtain an RMA. Any product shipped to Branick must have an RMA and proof of original shipment date. The repaired or replacement product will be returned with transportation charges prepaid by Branick.

This warranty does not cover defects in the product caused by ordinary wear and tear, abuse, misuse, overloading, accident (including shipping damage), improper maintenance, alteration, or any other cause not the result of defective materials or workmanship.

REPAIR OR REPLACEMENT IS THE EXCLUSIVE REMEDY FOR DEFECTIVE PRODUCT UNDER THIS WARRANTY. THIS WARRANTY IS EXPRESSLY IN LIEU OF ALL OTHER WARRANTIES, INCLUDING ANY IMPLIED WARRANTY OF MERCHANT ABILITY OR ANY IMPLIED WARRANTY OF FITNESS FOR A PARTICULAR PURPOSE OF THIS PRODUCT. BRANICK INDUSTRIES, INC. SHALL NOT BE LIABLE FOR ANY CONSEQUENTIAL OR INCIDENTAL DAMAGES.

BRANICK INDUSTRIES, INC. reserves the right to make changes in the design or construction of our products without obligation to incorporate such changes in products already sold and without notice.

Service parts and regular repair service are available from authorized distributors of Branick products, or from:

BRANICK INDUSTRIES, INC.  
4245 Main Ave.  
Fargo, North Dakota 58103  
Toll Free: 800-437-4394



[www.branick.com](http://www.branick.com)