



**MODEL 5130
Tire Repair Station**

Installation, Operation
& Repair Parts
Information



Branick Industries, Inc. • 4245 Main Avenue • Fargo, North Dakota 58103

CAUTION

- ◆ **Before using this product, read and fully understand the operating instructions and all decals on the product. This is necessary to prevent injury to the operator and damage to the product.**
- ◆ **Use this product only for spreading and repairing tire casings. Do not use this product for any other purpose.**
- ◆ **Keep fingers and hands clear of spread hooks during tire spread.**
- ◆ **Do not use this product if it is visibly worn, distorted or damaged.**
- ◆ **Always wear appropriate eye protection.**

INSTALLATION

- 1) Position the Model 5130 on a solid level floor. Bolting to floor is recommended.
- 2) Attach a 1/4 NPT quick coupler nipple (not provided) onto the inline filter located on the back of the column base. Attach a 1/4 inch air hose with 100 psi minimum / 150 psi maximum pressure.
- 3) Plug light into standard 110v outlet.

OPERATION

- 1) Move spread hooks out from tire platform.
- 2) Position tire on tire platform. Steady tire with hand and insert spread hooks over tire beads.
- 3) Adjust spread hooks to proper height for tire being repaired. To adjust spread hooks, pull quick pin out, move spread hook arm up or down to one of the four adjustment holes and release quick pin. Both spread hooks must be adjusted to same height.
- 4) Spread tire to desired width using foot valve and move light for best visibility. If tire is lifted off spread platform when spread, spread hook arms are positioned too high and should be lowered.
- 5) To rotate tire to new position, release pressure on spread hooks and rotate tire on rollers.
- 6) After inspection and repairs are complete, move light away from tire, release spread hooks using foot valve and remove spread hooks from tire bead.

MAINTENANCE

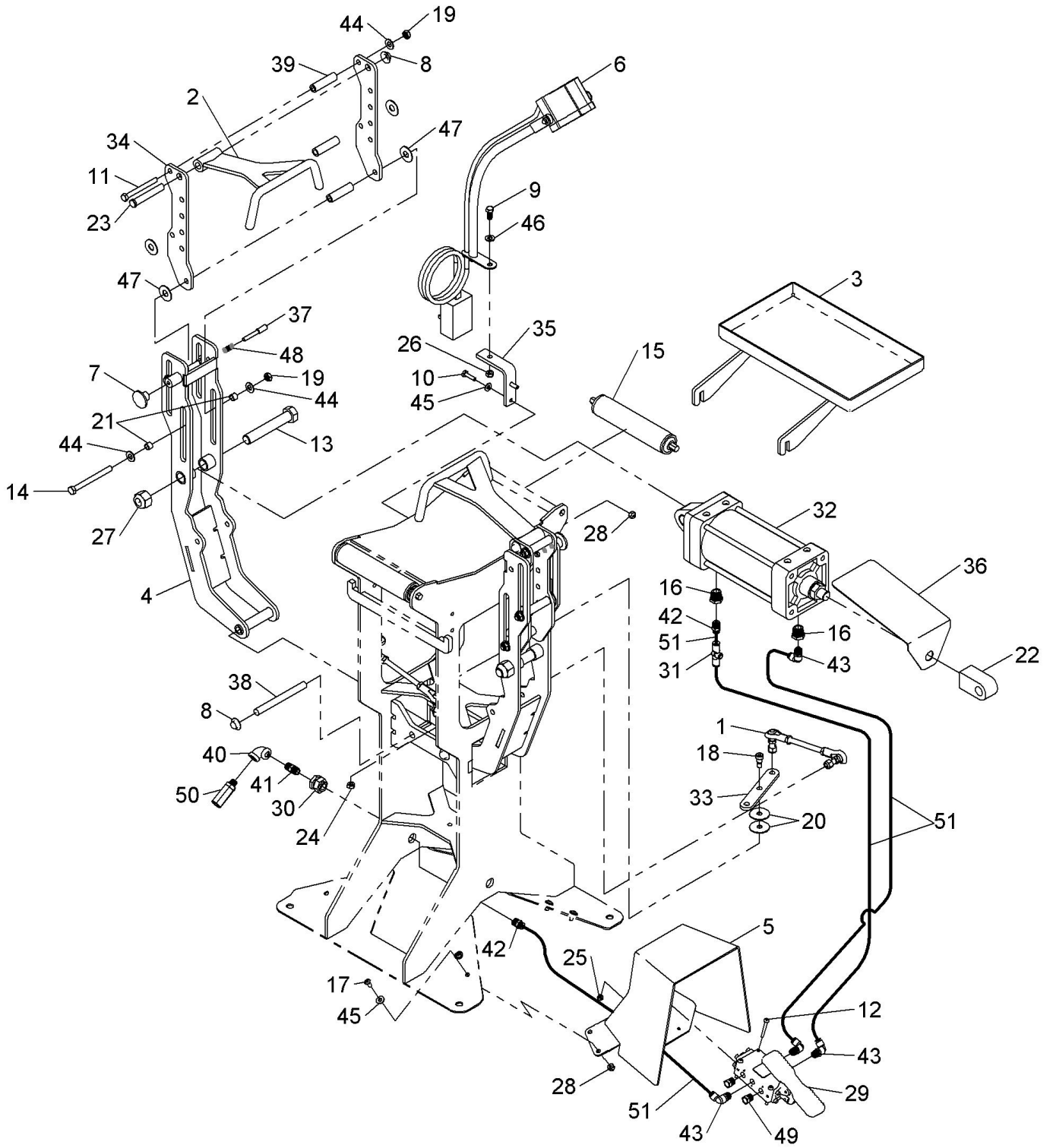
Monthly

- Inspect spreader for excessive wear or damage.
- Wipe cylinder shaft clean of debris and check for damage.

Every 6 Months

- Check inline filter and replace if needed.
- Check arm pivots, slide bolts and washers, quick pins, and hook pivot pins for wear or damage and replace if needed.

MAIN ASSEMBLY



ITEM	PART NO	QTY	DESCRIPTION
1	01-0264	2	TIE ROD ASSEMBLY
2	03-0252	2	SPREAD HOOK
3	03-0299	1	TOOL TRAY
4	03-0674	2	SPREAD ARM
5	03-0676	1	FOOT GUARD
6	40-0020	1	LED LIGHT
7	11-0109	2	ADJUSTMENT KNOB
8	020-024	6	PRESS ON CAP
9	028-012	1	5/16 X 3/4 SCREW
10	028-041	2	1/4 X 1 SCREW
11	028-066	2	3/8 X 3-1/4 SCREW
12	028-304	4	#10 X 1-3/4 SCREW
13	028-335	2	3/4 X 4-1/2 SCREW
14	028-341	4	3/8 X 4 SCREW
15	29-0006	2	ROLLER
16	039-008	2	1/2 NPT X 1/4 NPT BUSHING
17	50-0125	4	1/4 X 5/8 SCREW
18	50-0187	1	3/8 X 3/8 SHOULDER SCREW
19	51-0070	6	3/8 NYLON JAM NUT
20	52-0063	2	3/8 NYLON WASHER
21	52-0064	8	3/8 SPACER
22	53-0038	1	3/4 CLEVIS
23	54-0034	2	1/2 X 3 CLEVIS PIN
24	055-023	1	5/16 LOCK NUT
25	055-127	4	#10 NYLON LOCK NUT
26	055-145	1	5/16 NYLON LOCK NUT
27	055-157	2	3/4 NYLON LOCK NUT
28	055-160	6	1/4 NYLON LOCK NUT
29	60-0009	1	FOOT VALVE
30	60-0192	1	1/4 NPT BULKHEAD
31	60-0370	1	QUICK EXHAUST
32	63-0030	1	SPREAD CYLINDER
33	71-0485	1	EQUALIZER BAR
34	71-0486	4	HEIGHT ADJUSTMENT PLATE
35	71-0490	1	LIGHT BRACKET
36	72-0598	1	CYLINDER SHIELD
37	73-1000	2	LOCK PIN
38	73-1206	2	ARM PIVOT ROD
39	74-0394	6	HOOK ADJUSTMENT SPACER
40	096-069	1	1/4 NPT ELBOW
41	096-162	1	1/4 NPT RESTRICTED NIPPLE
42	096-340	2	1/4 NPT X 1/4 TUBE FITTING
43	096-342	4	1/4 NPT X 1/4 TUBE ELBOW FITTING
44	108-015	10	3/8 WASHER
45	108-110	6	1/4 WASHER
46	108-123	1	5/16 WASHER
47	108-144	8	1/2 NYLON WASHER
48	110-065	2	LOCK SPRING
49	885-035	2	1/4 NPT BREATHER
50	932-001	1	IN-LINE FILTER
51	D20-007	-	1/4 TUBE

THIS PAGE INTENTIONALLY LEFT BLANK

THIS PAGE INTENTIONALLY LEFT BLANK

COMMERCIAL WARRANTY

This product is warranted by BRANICK INDUSTRIES, INC. to the original user-owner against defective materials or workmanship for a period of one year from the date of shipment. During the warranty period, at the discretion of Branick management, if the product is found to be defective, it will be repaired or replaced without charge. For service, contact Branick (800-437-4394) to obtain an RMA. Any product shipped to Branick must have an RMA and proof of original shipment date. The repaired or replacement product will be returned with transportation charges prepaid by Branick.

This warranty does not cover defects in the product caused by ordinary wear and tear, abuse, misuse, overloading, accident (including shipping damage), improper maintenance, alteration, or any other cause not the result of defective materials or workmanship.

REPAIR OR REPLACEMENT IS THE EXCLUSIVE REMEDY FOR DEFECTIVE PRODUCT UNDER THIS WARRANTY. THIS WARRANTY IS EXPRESSLY IN LIEU OF ALL OTHER WARRANTIES, INCLUDING ANY IMPLIED WARRANTY OF MERCHANT ABILITY OR ANY IMPLIED WARRANTY OF FITNESS FOR A PARTICULAR PURPOSE OF THIS PRODUCT. BRANICK INDUSTRIES, INC. SHALL NOT BE LIABLE FOR ANY CONSEQUENTIAL OR INCIDENTAL DAMAGES.

BRANICK INDUSTRIES, INC. reserves the right to make changes in the design or construction of our products without obligation to incorporate such changes in products already sold and without notice.

Service parts and regular repair service are available from authorized distributors of Branick products, or from:

BRANICK INDUSTRIES, INC.
4245 Main Ave.
Fargo, North Dakota 58103
Toll Free: 800-437-4394



www.branick.com