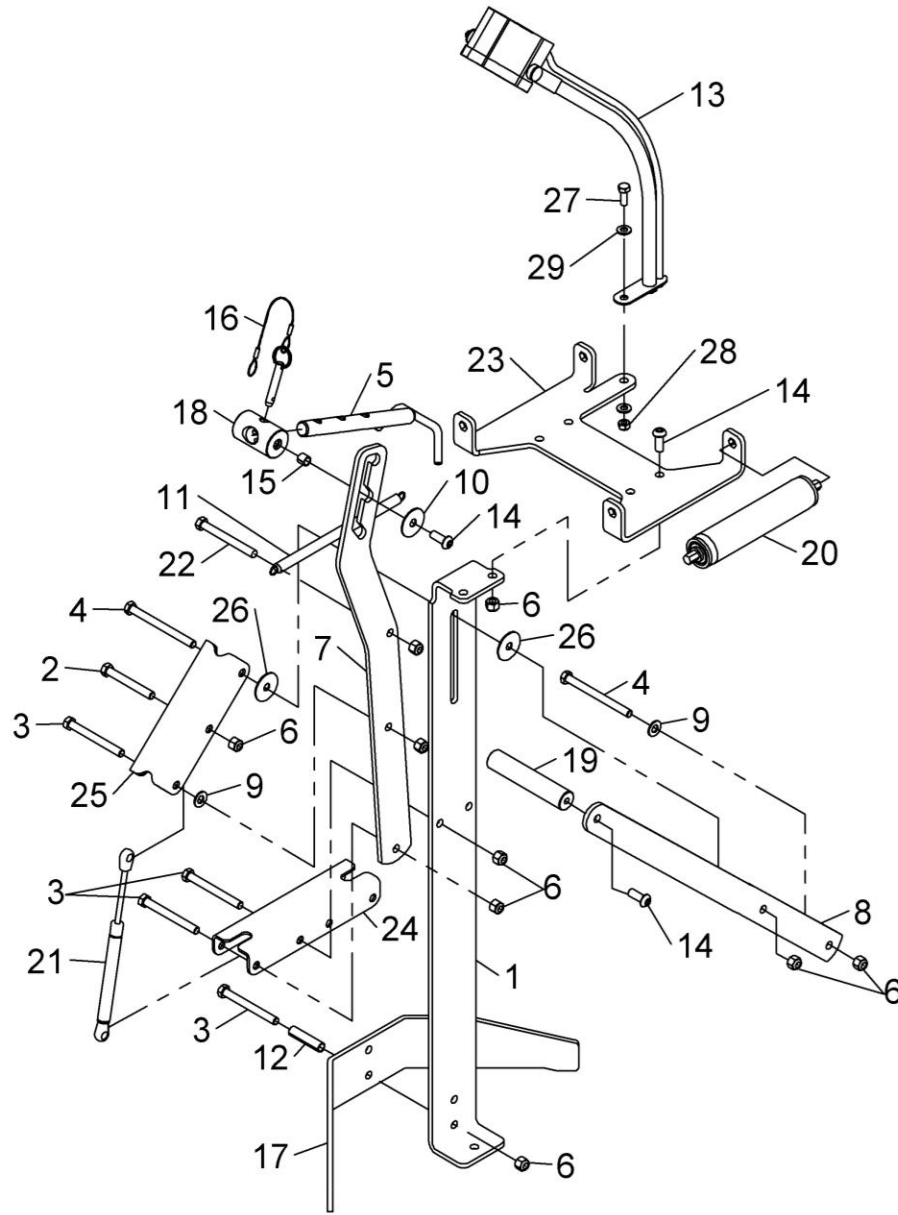




**MODEL 5045
TIRE SPREADER**

Repair Parts
Information





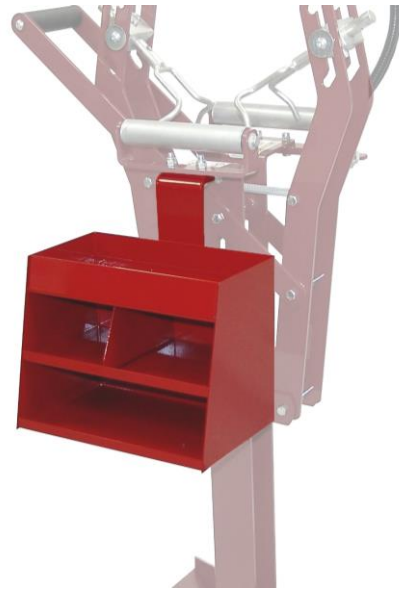
ITEM NO.	PART NO.	NO. REQ'D	DESCRIPTION	ITEM NO.	PART NO.	NO. REQ'D	DESCRIPTION
1	013-092	2	SPREADER GUIDE	16	54-0051	2	QUICK RELEASE PIN
2	028-022	1	3/8-16 X 3 SCREW	17	636-049	2	LEG
3	028-122	7	3/8-16 X 3-1/2 SCREW	18	73-1111	2	ADJUSTMENT BLOCK
4	50-0182	2	3/8-16 X 4-1/4 SCREW	19	73-1112	1	PULL HANDLE
5	03-0522	2	SPREAD HOOK	20	29-0006	2	ROLLER
6	055-154	16	3/8-16 NYLOCK NUT	21	01-0266	1	DAMPER
7	06-0110	4	SPREAD ARM	22	50-0183	2	3/8-16 X 3-1/2 SCREW (FULL THREAD)
8	06-0112	2	SPREAD HANDLE	23	71-0396	1	ROLLER PLATE
9	108-015	4	3/8 FLAT WASHER	24	72-0533	1	ARM PIVOT
10	108-141	4	3/8 FENDER WASHER	25	72-0534	1	SPREAD LINKAGE
11	110-083	1	SPRING	26	52-0063	4	NYLON WASHER
12	268-545	2	2" SPACER	27	028-060	1	5/16-18 X 7/8 SCREW
13	40-0090	1	LED LIGHT	28	055-145	1	5/16-18 NYLOCK NUT
14	50-0167	10	3/8-16 X 1 SCREW	29	108-123	2	5/16 FLAT WASHER
15	52-0053	4	7/16" SPACER				

ACCESSORIES

Storage Cabinet

The optional storage cabinet fits both the 5035 and 5045. It provides ample room to hold buffer, plugs, patches and anything else you need to perform tire repairs right at the spreader. Simple two bolt installation. All steel construction ensures long life and durability.

Part Number: 05-0056



Riser Base

The optional riser provides an additional 3 inches of lift to provide a more comfortable working height for taller individuals. All steel construction with pre-drilled floor mount holes. Installation takes only minutes.

Part Number: 05-0121



COMMERCIAL WARRANTY

This product is warranted by BRANICK INDUSTRIES, INC. to the original user-owner against defective materials or workmanship for a period of one year from the date of shipment. During the warranty period, at the discretion of Branick management, if the product is found to be defective, it will be repaired or replaced without charge. For service, contact Branick (800-437-4394) to obtain an RMA. Any product shipped to Branick must have an RMA and proof of original shipment date. The repaired or replacement product will be returned with transportation charges prepaid by Branick.

This warranty does not cover defects in the product caused by ordinary wear and tear, abuse, misuse, overloading, accident (including shipping damage), improper maintenance, alteration, or any other cause not the result of defective materials or workmanship.

REPAIR OR REPLACEMENT IS THE EXCLUSIVE REMEDY FOR DEFECTIVE PRODUCT UNDER THIS WARRANTY. THIS WARRANTY IS EXPRESSLY IN LIEU OF ALL OTHER WARRANTIES, INCLUDING ANY IMPLIED WARRANTY OF MERCHANT ABILITY OR ANY IMPLIED WARRANTY OF FITNESS FOR A PARTICULAR PURPOSE OF THIS PRODUCT. BRANICK INDUSTRIES, INC. SHALL NOT BE LIABLE FOR ANY CONSEQUENTIAL OR INCIDENTAL DAMAGES.

BRANICK INDUSTRIES, INC. reserves the right to make changes in the design or construction of our products without obligation to incorporate such changes in products already sold and without notice.

Service parts and regular repair service are available from authorized distributors of Branick products, or from:

BRANICK INDUSTRIES, INC.
4245 Main Ave.
Fargo, North Dakota 58103
Toll Free: 800-437-4394



www.branick.com